



InvoTech

YW series Scroll Compressors

Special Design For Heat Pump Water Heater

*Be Capable of Running Perfectly at as low as -20°C Evap. Temp.
Without Any Extra Cooling to Discharge Gas
Design for Heating Water to As High As 80°C +*

*It is the outstanding engineering capability
that builds the incomparable reliability*



InvoTech Scroll Technologies Co., Ltd.

is a high-tech company.

Our company is founded by a group of engineers who formerly worked for the world's largest manufacturer of scroll compressors. We are a team of passionate and highly qualified professionals with more than 15 years of experience in this industry. Our company's products in addition to impressive sales performance in the domestic market, also sales to Asia, Africa, Europe, South America and other more than 30 countries and regions.

Our company provides specialized scroll compressors and related technical consulting services for heat pump water heaters, refrigeration and air conditioning, chillers and other applications. We are willing to provide our customers with jointly developed or Turn-Key solutions to meet their needs.

Our vision: to become a global first class solution provider by providing innovative products for the climate and energy industries.



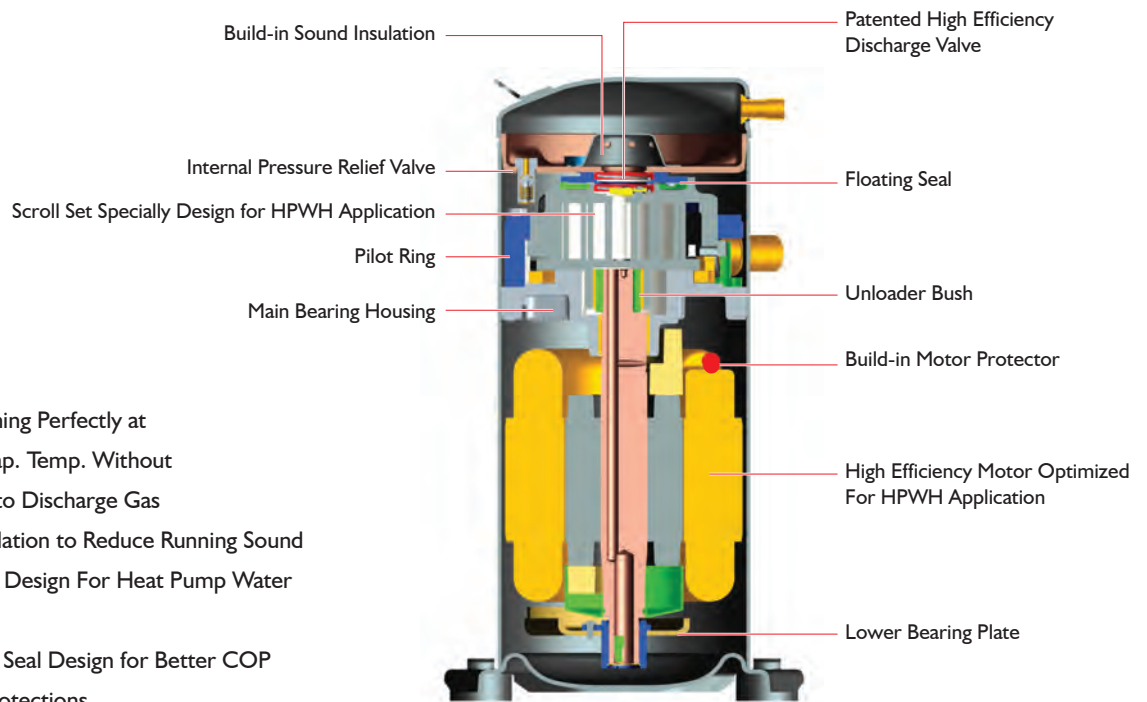
<i>Product Features</i>		1
<i>Models</i>		2
<i>Nomenclature</i>		2
<i>Technical Specifications</i>		
Classic A Series	R22	3
Classic T Series	R404A	4
Classic T Series	R407C	5
Classic C Series	R410A	6
Ultra-High Temp. J Series	R134a	7
<i>Operating Envelope</i>		
Classic Series		8
Ultra-High Temp. J Series		10
<i>Capacity</i>		
Classic Series		11
Ultra-High Temp. J Series		22
<i>Dimensions</i>		27

*It is the outstanding engineering capability
that builds the incomparable reliability*

YW Series

Scroll Compressors With Dual-Compliance For Heat Pump Water Heater

- Specific Design For Heat Pump Water Heater, Not Only The Scroll Set But Also The Unit, Precise Product-Definition Based On Customer's Need
- Both Build-in Radius and Axial Compliance Design, Improved Floating Seal Design for Better Energy Efficiency
- Excellent Discharge Temperature Management to Stretch Operation Envelope
- Accurate Calculation of Load and Sealing Force for Running Sound Optimization
- High Efficiency Motor Design

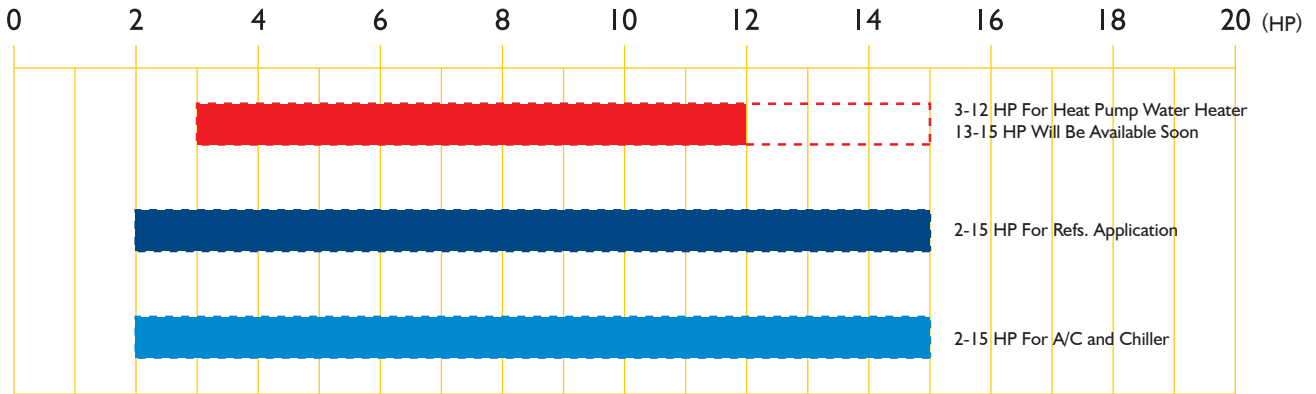


Features

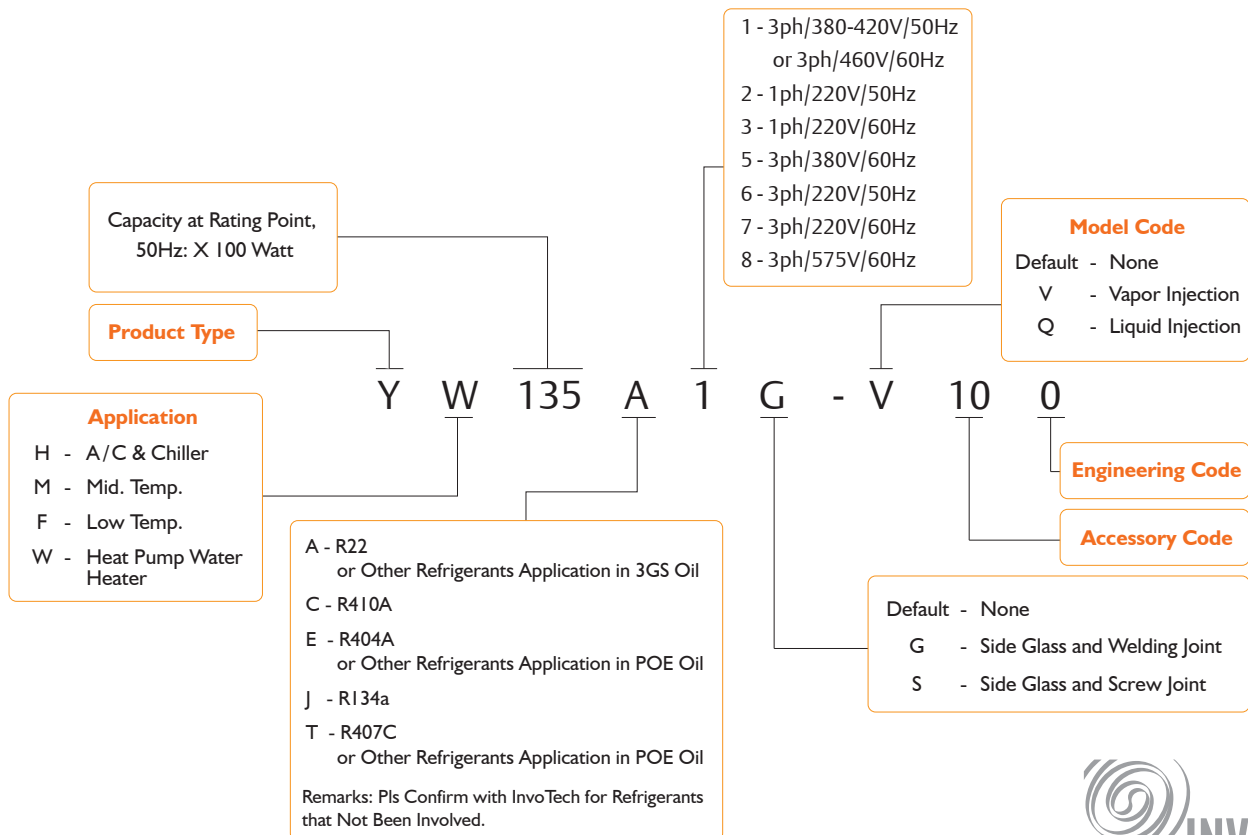
- Be Capable of Running Perfectly at as low as -20°C Evap. Temp. Without Any Extra Cooling to Discharge Gas
- Build-in Sound Insulation to Reduce Running Sound
- Truly Specific Scroll Design For Heat Pump Water Heater Application
- Optimized Floating Seal Design for Better COP
- Multiple Internal Protections
 - High Pressure Protection
 - Overload Protection

YW Series

Models



Nomenclature



Model	YW75A2 -100	YW110A2 -100	YW75A1 -100	YW110A1 -100	YW135A1 -100	YW160A1 -100	YW190A1 -100	YW205A1 -100	YW245A1 -100	YW285A1 -100	YW320A1 -100	
Electricity	220V/50Hz/1P			380V/50Hz/3P								
	Single Phase			3 Phase								
Power in Horse Power(HP)	3	4	3	4	5	6	7	8	9	10	12	
Displacement (M ³ /H)	8.1	11.8	8.1	11.8	14.5	17.1	20.1	21.4	25.3	29.1	32.9	
Refrigerant	R22											
Heating Capacity (W)	10200	15060	10200	15000	18000	21040	25980	27470	32670	37875	42460	
Power in Watt (W)	2710	3860	2630	3800	4500	5260	6580	6910	8170	9375	10460	
COP (W/W)	3.76	3.90	3.88	3.95	4.00	4.00	3.95	3.98	4.00	4.04	4.06	
Running Current (A)	12.6	18.3	5.7	7.3	8.3	9.5	12.4	12.9	14.6	16.4	18	
LRA (A)	76	109	45	60	60	65	117	117	117	121	121	
MOC (A)	20.5	30.2	7.4	10.4	12.5	14.3	18.5	19.4	21.6	24.5	27.7	
Crankcase Heater (W)	70						90					
Fitting Dimensions (Inch)												
Discharge Tube (OD)	1/2						7/8					
Suction Tube (OD)	7/8						1 1/8					
Product Dimensions(MM)												
Length (L)	239						260					
Width (W)	239						244					
Height (H)	418						508					
Feet Dimensions (Hole)	190X190(8.5)											
Oil Type	3GS											
Initial Charge Volume(L)	1.4						2.7					
Recharge Volume(L)	1.25						2.6					
Max Operating Pressure(MPa)												
High Side	3.0											
Low Side	2.0											
Weight(kg)	31	33	30	31	31	33	53	53	53	54	54	

Classic A Series: Ambient Temp. 35°C, E.T. 5°C, C.T. 55°C, Subcooling 8.3K, S.H. 11.1K

Model	YW75T1 -100	YW110T1 -100	YW135T1 -100	YW160T1 -100	YW190T1 -100	YW205T1 -100	YW245T1 -100	YW285T1 -100	YW320T1 -100
Electricity	380V/50Hz/3P								
	3 Phase								
Power in Horse Power(HP)	3	4	5	6	7	8	9	10	12
Displacement (M ³ /H)	8.1	11.8	14.5	17.1	20.1	21.4	25.3	29.1	32.9
Refrigerant	R404A								
Heating Capacity (W)	10950	15777	18981	22142	27276	28907	34447	39991	44992
Power in Watt (W)	3000	4287	5130	5952	7372	7812	9310	10750	12160
COP (W/W)	3.65	3.68	3.7	3.72	3.7	3.7	3.7	3.72	3.7
Running Current (A)	5.5	7.9	9.3	10.3	13.3	13.9	15.9	18.1	20.7
LRA (A)	45	60	60	65	117	117	117	121	121
MOC (A)	6.9	10.5	12.2	14.3	17.5	18.4	21	23.6	26.5
Crankcase Heater (W)	70				90				
Fitting Dimensions (Inch)									
Discharge Tube (OD)	1/2				7/8				
Suction Tube (OD)	7/8				1 1/8				
Product Dimensions(MM)									
Length (L)	239				260				
Width (W)	239				244				
Height (H)	418				508				
Feet Dimensions (Hole)	190X190(8.5)								
Oil Type	POE								
Initial Charge Volume(L)	1.4				2.7				
Recharge Volume(L)	1.25				2.6				
Max Operating Pressure(MPa)									
High Side					3.0				
Low Side					2.0				
Weight(kg)	30	31	31	33	53	53	53	54	54

Classic T Series: Ambient Temp. 35°C, E.T. 5°C, C.T. 55°C, Subcooling 8.3K, S.H. 11.1K

Model	YW75T2 -100	YW110T2 -100	YW75T1 -100	YW110T1 -100	YW135T1 -100	YW160T1 -100	YW190T1 -100	YW205T1 -100	YW245T1 -100	YW285T1 -100	YW320T1 -100
Electricity	220V/50Hz/1P		380V/50Hz/3P								
	Single Phase		3 Phase								
Power in Horse Power(HP)	3	4	3	4	5	6	7	8	9	10	12
Displacement (M ³ /H)	8.1	11.8	8.1	11.8	14.5	17.1	20.1	21.4	25.3	29.1	32.9
Refrigerant	R407C										
Heating Capacity (W)	10000	14650	9920	14590	17520	20480	25270	26717	31772	36829	41285
Power in Watt (W)	2740	3900	2660	3840	4550	5320	6646	6979	8252	9469	10565
COP (W/W)	3.65	3.76	3.73	3.80	3.85	3.85	3.80	3.83	3.85	3.89	3.91
Running Current (A)	12.7	18.5	5.8	7.4	8.4	9.6	12.5	13.0	14.7	16.6	18.2
LRA (A)	76	109	45	60	60	65	117	117	117	121	121
MOC (A)	20.7	30.5	7.5	10.5	12.5	14.5	18.7	19.6	21.8	24.7	30
Crankcase Heater (W)	70					90					
Fitting Dimensions (Inch)											
Discharge Tube (OD)	1/2					7/8					
Suction Tube (OD)	7/8					1 1/8					
Product Dimensions(MM)											
Length (L)	239					260					
Width (W)	239					244					
Height (H)	418					508					
Feet Dimensions (Hole)	190X190(8.5)										
Oil Type	POE										
Initial Charge Volume(L)	1.4					2.7					
Recharge Volume(L)	1.25					2.6					
Max Operating Pressure(MPa)											
High Side	3.0										
Low Side	2.0										
Weight(kg)	31	33	30	31	31	33	53	53	53	54	54

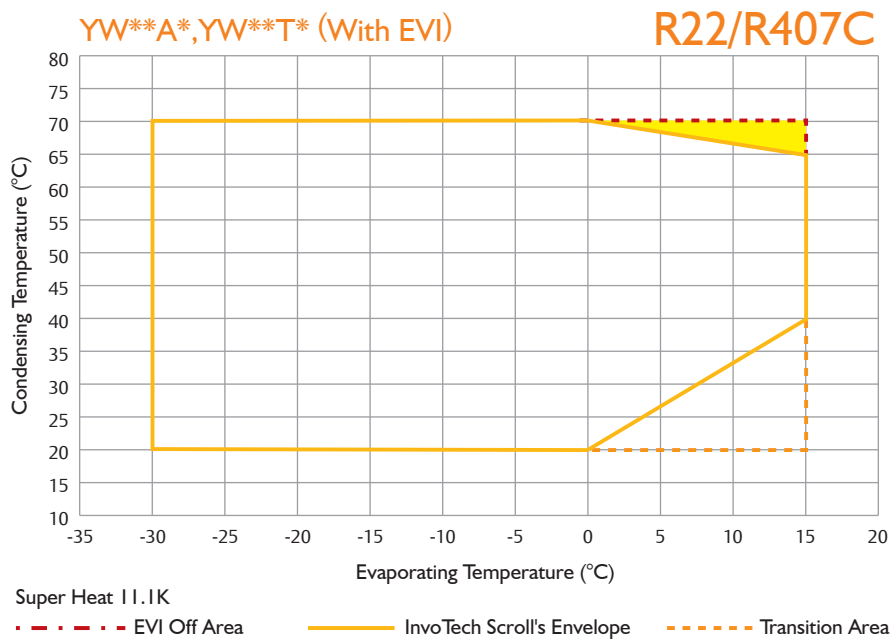
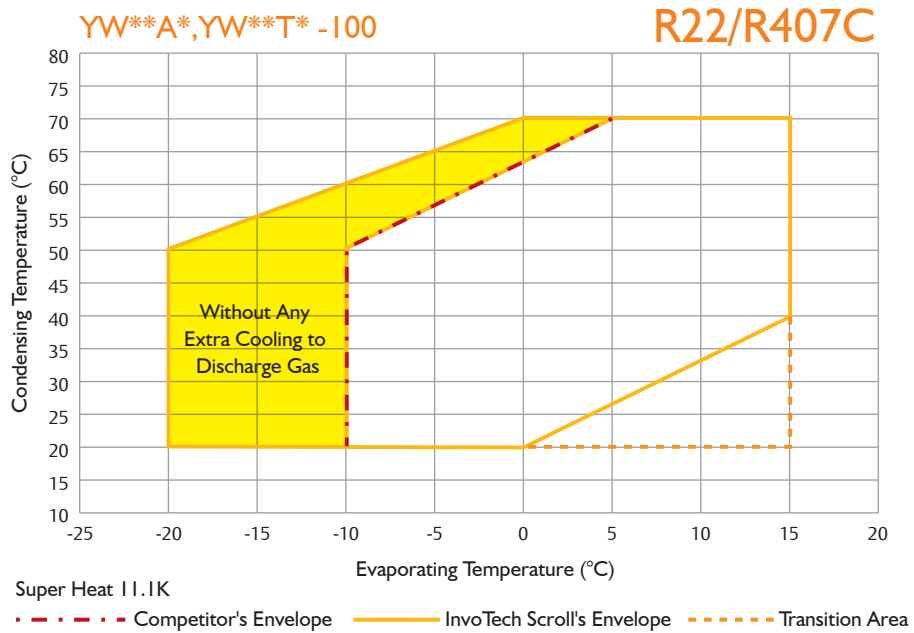
Classic T Series: Ambient Temp. 35°C, E.T. 5°C, C.T. 55°C, Subcooling 8.3K, S.H. 11.1K

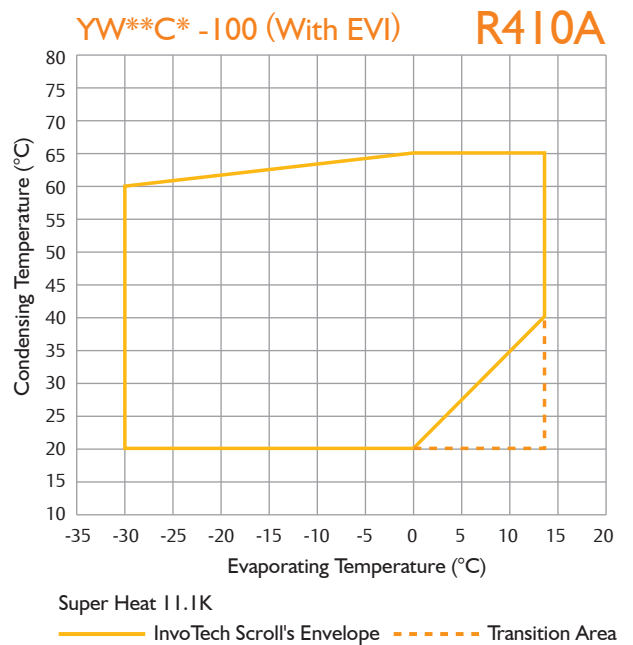
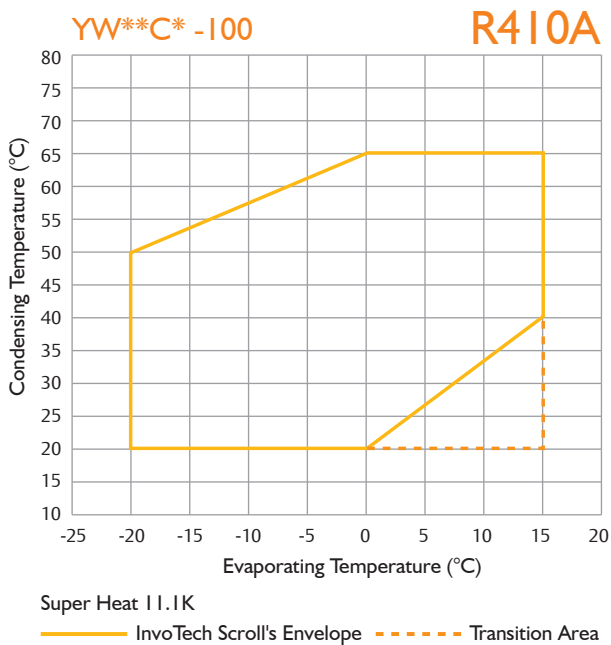
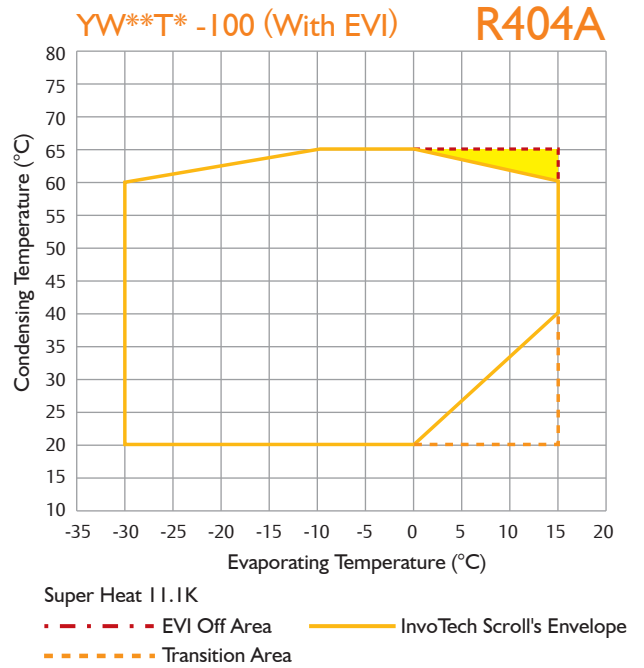
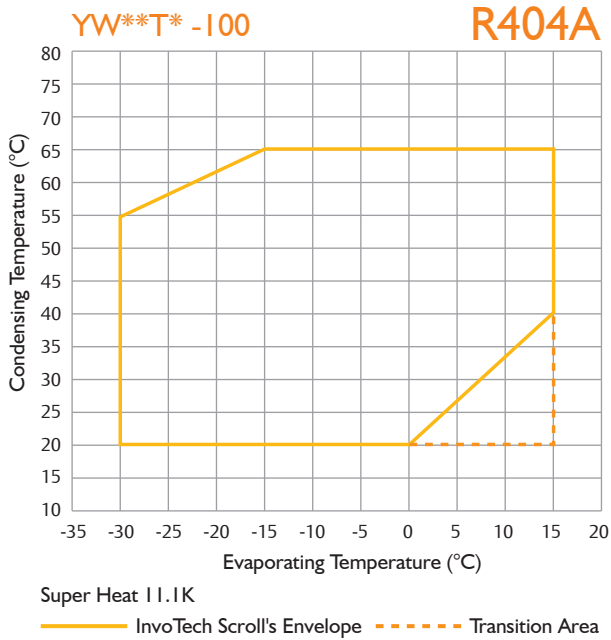
Model	YW75C1-100	YW110C1-100	YW135C1-100	YW160C1-100	YW270C1-100	YW300C1-100	YW320C1-100
Electricity	380V/50HZ/3P 3 Phase						
Power in Horse Power(HP)	3	4	5	6	10	11	12
Displacement (M ³ /H)	5.8	8.1	10.3	11.8	20.1	22.2	22.9
Refrigerant	R410A						
Heating Capacity (W)	10626	14577	18593	21403	37321	41290	42670
Power in Watt (W)	2826	3877	4893	5603	9821	10766	11170
COP (W/W)	3.76	3.76	3.80	3.82	3.80	3.83	3.82
Running Current (A)	5.3	7.4	8.7	9.8	16.7	18.2	18.9
LRA (A)	45	60	60	65	121	121	121
MOC (A)	7.6	11.0	13.0	14.0	24.0	27.8	30.0
Crankcase Heater (W)	70				90		
Fitting Dimensions (Inch)							
Discharge Tube (OD)	1/2				7/8		
Suction Tube (OD)	7/8				11/8		
Product Dimensions(MM)							
Length (L)	239				260		
Width (W)	239				244		
Height (H)	418				508		
Feet Dimensions (Hole)	190 x 190 (8.5)						
Oil Type	POE						
Initial Charge Volume(L)	1.4				2.7		
Recharge Volume(L)	1.25				2.6		
Max Operating Pressure(MPa)							
High Side	4.3						
Low Side	2.0						
Weight(kg)	30	31	31	33	54	54	54

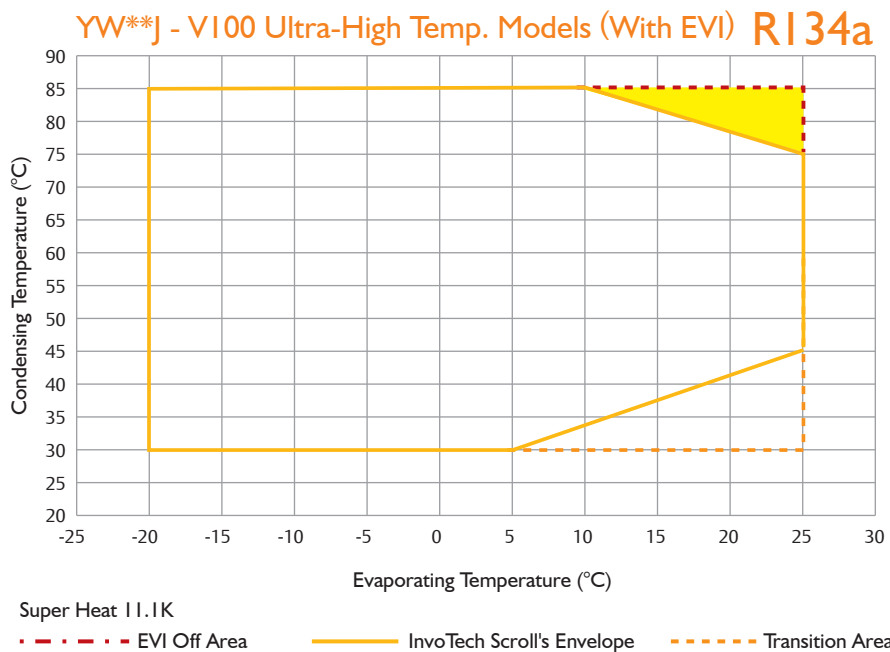
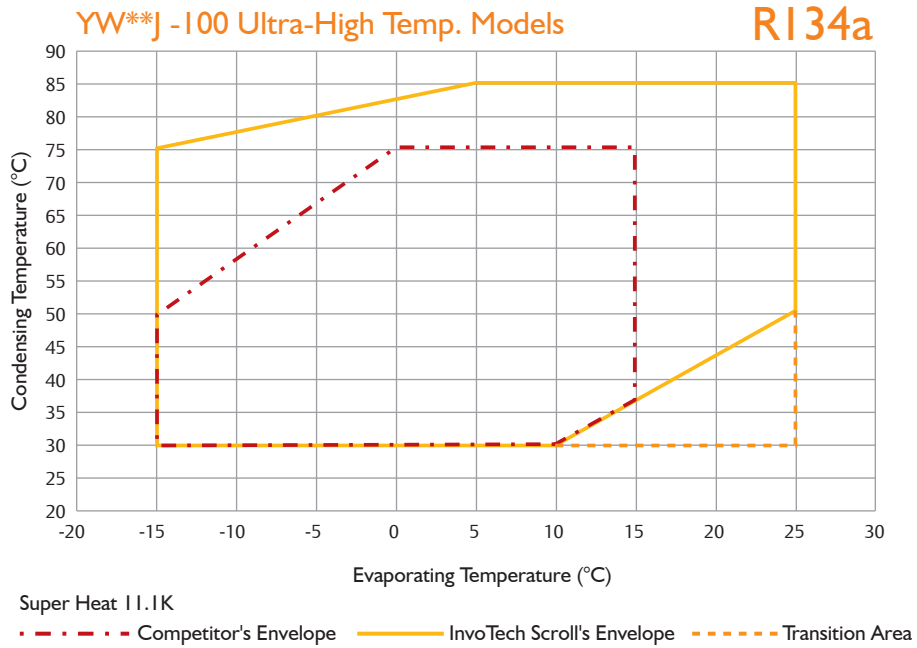
Classic C Series: Ambient Temp. 35°C, E.T. 7.2°C, C.T. 54.4°C, Subcooling 8.3K, R.G.T. 18.3°C

Model	YW55J2 -100	YW80J2 -100	YW55J1 -100	YW80J1 -100	YW100J1 -100	YW120J1 -100	YW132J1 -100	YW140J1 -100	YW155J1 -100	YW180J1 -100	YW200J1 -100	YW240J1 -100	
Electricity	220V/50Hz/1P				380V/50Hz/3P								
	Single Phase				3 Phase								
Power in Horse Power(HP)	3	4	3	4	5	6	6.5	7	8	9	10	12	
Displacement (M ³ /H)	8.1	11.8	8.1	11.8	14.5	17.1	18.3	20.1	21.4	25.3	29.1	32.9	
Refrigerant	R134a												
Heating Capacity (W)	7180	10450	7180	10430	13000	15530	16500	17530	18830	23450	25540	29220	
Power in Watt (W)	1700	2450	1689	2437	3023	3612	3837	4125	4400	5450	5940	6720	
COP (W/W)	4.23	4.27	4.25	4.28	4.30	4.30	4.30	4.25	4.28	4.31	4.30	4.35	
Running Current (A)	7.9	11.6	4.0	5.7	6.2	7.2	7.5	14.9	9.5	10.5	11.4	12.4	
LRA (A)	76	109	45	60	60	65	65	117	117	117	121	121	
MOC (A)	13.6	23.2	6.5	9	10.4	12.3	13.2	15.1	16.4	18.8	20.3	24	
Crankcase Heater (W)	70						90						
Fitting Dimensions (Inch)													
Discharge Tube (OD)	1/2						7/8						
Suction Tube (OD)	7/8						1 1/8						
Product Dimensions(MM)													
Length (L)	239						260						
Width (W)	239						244						
Height (H)	418						508						
Feet Dimensions (Hole)	190X190(8.5)												
Oil Type	POE												
Initial Charge Volume(L)	1.4						2.7						
Recharge Volume(L)	1.25						2.6						
Max Operating Pressure(MPa)													
High Side	3.0												
Low Side	2.0												
Weight(kg)	31	33	30	30	31	32	33	53	53	53	54	54	

Ultra-High Temp. J Series: Ambient Temp. 35°C, E.T. 7.2°C, C.T. 54.4°C, Subcooling 8.3K, R.G.T. 18.3°C







Model	C.T. (°C)	E.T.(°C)								
		-20	-15	-10	-5	0	5	10	15	
YW75AI-100	Heating Capacity (W)	70					8574	9610	10864	12329
		65				7515	8477	9654	11037	12618
		55		5678	6475	7477	8676	10064	11634	13376
		50	4907	5612	6517	7615	8898	10357	11985	13773
		45	4847	5650	6640	7811	9154	10660	12323	14133
		35	4962	5890	6981	8226	9619	11150	12812	14597
		25	5146	6106	7203	8430	9779	11241	12809	14474
	Watt (W)	70					3227	3360	3486	3614
		65				2850	2976	3088	3199	3318
		55		2202	2325	2425	2513	2601	2697	2815
		50	1916	2045	2145	2229	2307	2389	2488	2613
		45	1786	1891	1974	2047	2120	2203	2309	2448
		35	1524	1600	1666	1733	1813	1915	2052	2234
		25	1279	1347	1418	1502	1611	1755	1945	2193
YW110AI-100	Heating Capacity (W)	70					12485	14000	15836	17981
		65				10942	12350	14072	16097	18412
		55		8265	9430	10897	12653	14687	16986	19539
		50	7143	8173	9498	11106	12985	15123	17508	20127
		45	7059	8233	9684	11399	13366	15573	18009	20660
		35	7235	8594	10191	12017	14057	16300	18733	21346
		25	7511	8917	10524	12322	14297	16437	18731	21167
	Watt (W)	70					4641	4834	5014	5198
		65				4099	4280	4442	4601	4772
		55		3167	3344	3489	3615	3741	3880	4049
		50	2757	2941	3086	3207	3318	3437	3579	3759
		45	2568	2720	2840	2944	3049	3169	3322	3521
		35	2193	2301	2396	2493	2607	2755	2952	3214
		25	1840	1938	2040	2161	2317	2524	2798	3155
YW135AI-100	Heating Capacity (W)	70					15211	17065	19314	21943
		65				13330	15053	17163	19644	22482
		55		10068	11493	13290	15442	17935	20754	23882
		50	8701	9960	11583	13553	15857	18478	21401	24611
		45	8602	10039	11816	13918	16330	19036	22021	25271
		35	8826	10491	12450	14688	17189	19938	22920	26120
		25	9174	10897	12867	15070	17490	20112	22921	25902
	Watt (W)	70					5584	5816	6033	6254
		65				4932	5150	5345	5536	5742
		55		3811	4024	4198	4350	4501	4669	4872
		50	3317	3539	3713	3858	3993	4136	4306	4523
		45	3090	3272	3417	3543	3669	3814	3997	4237
		35	2638	2769	2883	2999	3137	3315	3552	3867
		25	2214	2332	2454	2600	2788	3037	3367	3796

Transition Area
Super Heat I.I.K, No Subcooling

Model	C.T. (°C)	E.T.(°C)							
		-20	-15	-10	-5	0	5	10	15
YW160AI-100	70					17802	19973	22605	25681
	65				15601	17618	20087	22991	26312
	55		11783	13451	15554	18073	20991	24290	27951
	50	10183	11657	13556	15863	18558	21626	25047	28804
	45	10067	11749	13829	16289	19112	22279	25773	29576
	35	10330	12279	14571	17190	20117	23335	26825	30570
	25	10737	12753	15059	17637	20470	23539	26826	30315
	70					6536	6807	7061	7320
	65				5772	6028	6256	6479	6720
	55		4460	4710	4913	5091	5268	5464	5702
	50	3882	4142	4346	4515	4673	4840	5040	5294
	45	3617	3830	3999	4146	4294	4463	4678	4959
	35	3088	3241	3374	3510	3672	3880	4157	4526
	25	2591	2729	2872	3043	3263	3555	3940	4442
YW190AI-100	70					21173	23754	26885	30544
	65				18555	20954	23891	27345	31295
	55		14014	15998	18499	21495	24966	28889	33243
	50	12111	13864	16123	18866	22072	25721	29789	34258
	45	11973	13974	16448	19374	22731	26498	30653	35176
	35	12286	14604	17330	20445	23926	27753	31904	36358
	25	12770	15168	17911	20977	24346	27996	31906	36055
	70					7773	8096	8398	8706
	65				6865	7169	7440	7706	7993
	55		5304	5601	5843	6055	6265	6499	6782
	50	4617	4926	5169	5370	5558	5757	5994	6296
	45	4302	4555	4756	4931	5106	5308	5563	5897
	35	3672	3854	4013	4175	4367	4614	4944	5383
	25	3082	3246	3416	3619	3881	4228	4687	5283
YW205AI-100	70					22542	25291	28624	32519
	65				19755	22309	25436	29113	33319
	55		14920	17033	19696	22886	26580	30757	35393
	50	12894	14761	17166	20086	23500	27384	31716	36473
	45	12748	14878	17512	20627	24201	28212	32636	37451
	35	13081	15548	18451	21767	25474	29548	33967	38710
	25	13596	16149	19069	22334	25921	29807	33969	38386
	70					8276	8619	8941	9269
	65				7309	7632	7922	8205	8510
	55		5647	5964	6221	6447	6670	6919	7221
	50	4916	5245	5503	5718	5917	6129	6382	6704
	45	4580	4850	5064	5250	5437	5652	5923	6279
	35	3910	4104	4273	4445	4649	4913	5264	5731
	25	3282	3456	3637	3853	4132	4501	4990	5625

Transition Area
Super Heat I.I.K, No Subcooling



Model	C.T. (°C)	E.T.(°C)								
		-20	-15	-10	-5	0	5	10	15	
YW245AI-100	Heating Capacity (W)	70					27488	30832	34885	39622
		65				24091	27197	31000	35471	40584
		55		18196	20767	24005	27883	32375	37453	43089
		50	15726	17998	20922	24473	28623	33345	38611	44395
		45	15544	18135	21337	25125	29469	34345	39723	45578
		35	15940	18940	22469	26500	31006	35959	41333	47100
		25	16559	19662	23212	27181	31542	36268	41332	46706
	Watt (W)	70					10156	10577	10972	11374
		65				8969	9366	9721	10068	10442
		55		6930	7318	7634	7911	8185	8490	8861
		50	6032	6436	6753	7016	7261	7521	7831	8226
		45	5620	5951	6214	6443	6671	6935	7268	7705
		35	4798	5036	5243	5455	5705	6028	6460	7033
		25	4027	4241	4463	4728	5070	5523	6123	6902
YW285AI-100	Heating Capacity (W)	70					30653	35811	40600	46201
		65				27924	31586	36080	41370	47421
		55		21079	24105	27930	32521	37840	43855	50529
		50	18214	20883	24336	28538	33453	39048	45286	52133
		45	18031	21085	24873	29359	34508	40285	46654	53582
		35	18569	22117	26298	31075	36413	42278	48635	55447
		25	19367	23041	27245	31944	37103	42687	48661	54989
	Watt (W)	70					11254	11721	12158	12604
		65				9939	10379	10772	11157	11571
		55		7679	8109	8459	8767	9070	9409	9819
		50	6684	7132	7483	7775	8046	8334	8678	9116
		45	6228	6595	6886	7139	7393	7685	8054	8538
		35	5317	5580	5810	6045	6322	6680	7158	7793
		25	4462	4700	4946	5240	5618	6121	6785	7649
YW320AI-100	Heating Capacity (W)	70					35101	39370	44546	50594
		65				30762	34729	39584	45294	51823
		55		23235	26517	30652	35605	41340	47824	55022
		50	20081	22982	26716	31251	36550	42579	49303	56689
		45	19848	23157	27246	32082	37630	43855	50723	58199
		35	20354	24185	28691	33838	39592	45917	52779	60143
		25	21144	25107	29640	34709	40277	46312	52778	59640
	Watt (W)	70					12968	13506	14010	14524
		65				11453	11959	12412	12856	13334
		55		8849	9344	9747	10102	10452	10841	11314
		50	7702	8219	8623	8959	9271	9604	10000	10504
		45	7176	7599	7935	8227	8519	8856	9281	9838
		35	6127	6430	6695	6965	7285	7698	8248	8980
		25	5142	5416	5699	6038	6474	7053	7818	8814

Transition Area
Super Heat I.I.K, No Subcooling

Model	C.T. (°C)	E.T.(°C)										
		-30	-25	-20	-15	-10	-5	0	5	10	15	
YW75TI-100	Heating Capacity (W)	65				5766	6525	7543	8800	10276	12013	13554
		55	4018	4546	5145	5754	6520	7563	8886	10494	12390	14086
		50	4037	4592	5147	5752	6697	7871	9279	10925	12813	14500
		45	4041	4651	5149	6051	7132	8395	9846	11488	13325	14962
		35	4053	4907	5967	7108	8334	9650	11060	12568	14178	15587
	25	4401	5602	6826	8038	9242	10442	11643	12848	14796	15771	
	Watt (W)	65				3488	3642	3723	3763	3794	3848	3874
		55	2313	2527	2740	2850	2886	2883	2871	2882	2949	2988
		50	2171	2315	2459	2514	2513	2488	2470	2493	2587	2653
		45	1996	2084	2171	2186	2162	2129	2120	2167	2302	2409
35		1603	1620	1636	1613	1582	1575	1625	1763	2022	2251	
YW110TI-100	Heating Capacity (W)	65				8382	9492	10983	12826	14991	17537	19797
		55	5844	6614	7488	8378	9502	11031	12972	15329	18109	20596
		50	5875	6686	7497	8383	9769	11491	13557	15970	18737	21210
		45	5885	6777	7506	8828	10414	12268	14396	16803	19495	21893
		35	5910	7162	8716	10390	12190	14120	16187	18395	20751	22813
	25	6429	8190	9985	11763	13528	15287	17044	18806	21660	23089	
	Watt (W)	65				5042	5264	5381	5438	5483	5562	5599
		55	3343	3652	3961	4119	4172	4167	4149	4166	4263	4319
		50	3138	3346	3554	3634	3632	3596	3571	3603	3740	3834
		45	2885	3012	3138	3160	3124	3077	3064	3132	3328	3482
35		2318	2341	2365	2331	2286	2277	2349	2548	2922	3254	
25	1806	1806	1807	1798	1824	1932	2168	2580	2825	2903		
YW135TI-100	Heating Capacity (W)	65				10166	11523	13350	15611	18266	21388	24161
		55	7092	8029	9094	10183	11561	13438	15820	18713	22123	25173
		50	7135	8125	9116	10201	11901	14016	16552	19513	22905	25939
		45	7153	8244	9136	10759	12706	14982	17594	20546	23845	26785
		35	7197	8733	10640	12696	14905	17275	19809	22515	25396	27919
	25	7846	10008	12211	14393	16559	18715	20866	23018	26514	28266	
	Watt (W)	65				6066	6334	6474	6544	6598	6692	6737
		55	4022	4394	4766	4956	5020	5014	4992	5012	5129	5196
		50	3776	4026	4276	4372	4370	4327	4296	4335	4499	4613
		45	3472	3624	3776	3802	3759	3702	3687	3769	4004	4189
35		2789	2817	2845	2805	2751	2739	2826	3066	3516	3916	
25	2173	2174	2175	2163	2194	2325	2609	3104	3398	3493		

Transition Area
Super Heat I.I.K, No Subcooling



Model	C.T. (°C)	E.T.(°C)										
		-30	-25	-20	-15	-10	-5	0	5	10	15	
YW160TI-100	Heating Capacity (W)	65				11828	13412	15549	18194	21301	24955	28199
		55	8253	9346	10588	11861	13472	15669	18458	21843	25832	29401
		50	8307	9463	10619	11888	13878	16354	19322	22787	26755	30304
		45	8331	9607	10649	12548	14827	17492	20549	24003	27861	31300
		35	8391	10189	12420	14826	17413	20186	23152	26315	29683	32630
	25	9158	11688	14267	16820	19355	21876	24391	26903	30992	33041	
	Watt (W)	65				7029	7339	7502	7583	7645	7755	7807
		55	4661	5092	5523	5743	5817	5810	5785	5808	5944	6021
		50	4376	4665	4955	5066	5064	5014	4979	5024	5214	5346
		45	4023	4199	4375	4406	4356	4290	4272	4367	4640	4854
35		3231	3264	3297	3250	3188	3174	3274	3553	4074	4537	
25	2517	2519	2520	2506	2543	2694	3023	3597	3938	4048		
YW190TI-100	Heating Capacity (W)	65				14308	16217	18789	21970	25708	30102	34004
		55	9981	11300	12799	14332	16271	18912	22265	26337	31135	35429
		50	10042	11436	12830	14357	16750	19727	23295	27463	32237	36506
		45	10067	11603	12858	15142	17882	21086	24762	28917	33560	37697
		35	10129	12291	14975	17868	20978	24313	27880	31687	35743	39294
	25	11043	14086	17186	20257	23306	26340	29367	32395	37317	39782	
	Watt (W)	65				8538	8914	9112	9209	9286	9419	9482
		55	5661	6184	6708	6975	7065	7056	7026	7055	7219	7313
		50	5314	5666	6018	6153	6151	6089	6047	6102	6333	6493
		45	4886	5100	5314	5351	5291	5210	5189	5304	5635	5896
35		3925	3965	4005	3948	3872	3855	3977	4315	4948	5511	
25	3058	3059	3061	3044	3088	3272	3672	4368	4783	4916		
YW205TI-100	Heating Capacity (W)	65				15438	17497	20272	23705	27737	32479	36689
		55	10769	12192	13809	15464	17555	20406	24023	28416	33594	38226
		50	10834	12338	13842	15490	18072	21284	25134	29631	34782	39388
		45	10862	12519	13874	16338	19294	22751	26717	31200	36209	40673
		35	10929	13262	16157	19279	22634	26232	30081	34189	38565	42396
	25	11915	15198	18543	21856	25145	28419	31685	34953	40263	42923	
	Watt (W)	65				9212	9618	9831	9936	10019	10162	10230
		55	6108	6673	7237	7526	7623	7613	7581	7612	7789	7890
		50	5734	6113	6493	6639	6637	6570	6524	6584	6832	7006
		45	5272	5503	5733	5774	5708	5622	5598	5723	6080	6361
35		4235	4278	4321	4259	4177	4160	4291	4656	5339	5946	
25	3299	3301	3302	3285	3332	3530	3962	4713	5161	5304		

Transition Area
Super Heat I.I.K, No Subcooling

Model	C.T. (°C)	E.T.(°C)										
		-30	-25	-20	-15	-10	-5	0	5	10	15	
YW245TI-100	Heating Capacity (W)	65				18676	21167	24524	28677	33555	39291	44385
		55	13028	14750	16706	18707	21238	24686	29062	34377	40640	46244
		50	13107	14927	16746	18739	21863	25749	30406	35846	42078	47650
		45	13140	15145	16784	19764	23341	27523	32321	37744	43804	49205
		35	13221	16043	19546	23323	27382	31734	36391	41360	46654	51289
	25	14414	18385	22433	26441	30420	34380	38331	42284	48708	51926	
	Watt (W)	65				11144	11635	11893	12021	12120	12294	12376
		55	7389	8072	8755	9104	9222	9210	9171	9208	9423	9545
		50	6937	7396	7855	8032	8029	7948	7893	7964	8266	8475
		45	6378	6657	6936	6985	6906	6801	6773	6923	7355	7696
35		5123	5175	5227	5153	5054	5032	5191	5632	6459	7193	
25	3991	3993	3995	3974	4031	4270	4793	5702	6243	6417		
YW285TI-100	Heating Capacity (W)	65				21335	11523	13350	15611	18266	21388	24161
		55	7092	8029	9094	10183	11561	13438	15820	18713	22123	25173
		50	7135	8125	9116	10201	11901	14016	16552	19513	22905	25939
		45	7153	8244	9136	10759	12706	14982	17594	20546	23845	26785
		35	7197	8733	10640	12696	14905	17275	19809	22515	25396	27919
	25	7846	10008	12211	14393	16559	18715	20866	23018	26514	28266	
	Watt (W)	65				12680	13238	13532	13677	13791	13988	14082
		55	8408	9185	9962	10359	10493	10479	10435	10477	10721	10861
		50	7893	8415	8937	9139	9135	9044	8981	9062	9405	9643
		45	7257	7574	7892	7948	7858	7738	7706	7878	8369	8756
35		5829	5888	5948	5863	5750	5726	5907	6409	7349	8184	
25	4541	4543	4545	4521	4587	4859	5454	6488	7104	7301		
YW320TI-100	Heating Capacity (W)	65				9415	11915	15789	20821	26794	33747	40011
		55	7048	8347	9939	12004	15020	19345	24863	31461	39022	45873
		50	7713	9413	11114	13385	17293	22250	28142	34852	42265	48969
		45	8453	10610	12309	15974	20544	25902	31935	38526	45561	51887
		35	10123	13586	17899	22712	27910	33378	38999	44660	50244	55119
	25	13029	17991	23047	28084	32986	37637	41923	45728	53081	56886	
	Watt (W)	65				13930	14544	14866	15026	15150	15368	15470
		55	9237	10090	10944	11380	11527	11513	11464	11510	11778	11932
		50	8671	9245	9818	10040	10036	9935	9866	9956	10332	10594
		45	7972	8321	8670	8731	8632	8501	8466	8654	9194	9619
35		6403	6469	6534	6441	6317	6290	6489	7041	8073	8991	
25	4989	4991	4994	4967	5039	5338	5991	7127	7804	8021		

Transition Area
Super Heat I.I.K, No Subcooling



Model	C.T. (°C)	E.T.(°C)								
		-20	-15	-10	-5	0	5	10	15	
YW75TI-100	Heating Capacity (W)	70					8393	9393	10604	12017
		65				7357	8287	9422	10755	12279
		55		5561	6332	7299	8454	9792	11303	12982
		50	4807	5490	6364	7422	8657	10062	11630	13353
		45	4743	5518	6474	7601	8894	10344	11945	13690
		35	4840	5734	6785	7984	9325	10800	12402	14125
		25	5004	5929	6986	8168	9468	10879	12394	14005
	Watt (W)	70					3259	3394	3521	3650
		65				2878	3005	3119	3231	3351
		55		2224	2348	2449	2539	2627	2724	2843
		50	1936	2065	2167	2251	2330	2413	2513	2640
		45	1803	1910	1994	2067	2141	2225	2332	2472
		35	1540	1616	1682	1750	1831	1934	2073	2257
		25	1292	1361	1432	1517	1627	1772	1965	2215
YW110TI-100	Heating Capacity (W)	70					12218	13681	15453	17522
		65				10709	12070	13731	15683	17914
		55		8093	9220	10636	12328	14287	16501	18960
		50	6996	7993	9273	10822	12632	14690	16986	19510
		45	6905	8040	9438	11090	12984	15109	17454	20010
		35	7055	8365	9904	11661	13625	15785	18132	20653
		25	7303	8657	10205	11937	13841	15906	18122	20478
	Watt (W)	70					4688	4882	5064	5250
		65				4140	4323	4487	4647	4820
		55		3199	3378	3523	3652	3778	3919	4090
		50	2784	2971	3117	3239	3351	3472	3615	3797
		45	2594	2747	2868	2974	3079	3201	3355	3556
		35	2215	2324	2420	2518	2633	2783	2982	3246
		25	1859	1958	2060	2182	2340	2550	2826	3186
YW135TI-100	Heating Capacity (W)	70					14881	16673	18843	21378
		65				13044	14709	16744	19135	21870
		55		9855	11235	12968	15042	17443	20157	23170
		50	8518	9739	11305	13204	15422	17945	20760	23853
		45	8412	9801	11514	13539	15860	18465	21340	24472
		35	8605	10210	12096	14250	16658	19306	22181	25268
		25	8918	10578	12475	14597	16930	19460	22173	25055
	Watt (W)	70					5640	5874	6093	6317
		65				4981	5202	5399	5591	5799
		55		3849	4064	4240	4394	4546	4715	4921
		50	3350	3575	3750	3897	4033	4177	4349	4569
		45	3121	3305	3451	3578	3705	3852	4037	4279
		35	2665	2797	2912	3029	3168	3348	3587	3906
		25	2236	2355	2479	2626	2816	3068	3400	3833

Transition Area
Super Heat I.I.K, No Subcooling

Model	C.T. (°C)	E.T.(°C)								
		-20	-15	-10	-5	0	5	10	15	
YW160TI-100	Heating Capacity (W)	70					17417	19514	22054	25020
		65				15266	17215	19596	22396	25596
		55		11534	13149	15177	17605	20415	23591	27118
		50	9970	11398	13231	15454	18050	21003	24297	27916
		45	9845	11471	13476	15845	18562	21611	24976	28641
		35	10071	11950	14157	16678	19496	22595	25960	29573
		25	10437	12380	14601	17084	19814	22775	25950	29324
	Watt (W)	70					6601	6875	7131	7393
		65				5830	6088	6318	6544	6787
		55		4504	4757	4962	5142	5320	5519	5759
		50	3921	4184	4389	4561	4720	4889	5090	5347
		45	3653	3868	4039	4188	4336	4508	4724	5008
		35	3119	3273	3408	3546	3708	3919	4199	4571
		25	2617	2757	2901	3073	3296	3590	3980	4487
YW190TI-100	Heating Capacity (W)	70				20715	23209	26229	29757	
		65				18156	20474	23307	26636	30442
		55		13719	15638	18051	20938	24280	28058	32253
		50	11858	13556	15736	18380	21467	24980	28898	33202
		45	11710	13643	16028	18846	22077	25703	29705	34064
		35	11978	14212	16838	19836	23187	26874	30875	35173
		25	12414	14724	17365	20319	23566	27087	30864	34877
	Watt (W)	70					7851	8177	8482	8793
		65				6934	7241	7515	7783	8073
		55		5357	5657	5901	6116	6328	6564	6850
		50	4663	4976	5221	5424	5613	5814	6054	6359
		45	4345	4601	4804	4981	5158	5361	5619	5956
		35	3709	3893	4053	4217	4410	4660	4994	5437
		25	3113	3279	3451	3655	3920	4270	4733	5336
YW205TI-100	Heating Capacity (W)	70				22054	24710	27926	31682	
		65				19331	21798	24814	28359	32411
		55		14606	16650	19219	22293	25851	29873	34339
		50	12624	14433	16754	19569	22856	26595	30767	35350
		45	12467	14525	17064	20064	23505	27366	31627	36267
		35	12753	15131	17927	21119	24687	28612	32872	37448
		25	13217	15676	18488	21633	25090	28839	32860	37132
	Watt (W)	70					8359	8706	9030	9362
		65				7382	7709	8001	8287	8595
		55		5704	6023	6283	6511	6737	6988	7293
		50	4965	5298	5558	5775	5976	6190	6446	6771
		45	4626	4898	5115	5303	5491	5708	5982	6342
		35	3949	4145	4315	4490	4696	4962	5317	5788
		25	3314	3491	3674	3892	4173	4546	5040	5681

Transition Area
Super Heat I.I.K, No Subcooling



Model	C.T. (°C)	E.T.(°C)								
		-20	-15	-10	-5	0	5	10	15	
YW245TI-100	Heating Capacity (W)	70					26897	30127	34038	38606
		65				23575	26578	30246	34555	39483
		55		17815	20302	23426	27163	31489	36379	41809
		50	15398	17599	20423	23845	27841	32387	37458	43030
	45	15203	17707	20794	24442	28624	33318	38498	44140	
	35	15542	18434	21832	25713	30051	34822	40002	45568	
	25	16098	19088	22507	26331	30534	35094	39985	45183	
	70					10257	10683	11081	11488	
Watt (W)	65				9059	9460	9818	10168	10546	
	55		6999	7391	7710	7990	8267	8575	8949	
	50	6092	6501	6820	7086	7333	7596	7909	8308	
	45	5676	6011	6276	6507	6738	7005	7341	7782	
	35	4846	5086	5296	5509	5762	6089	6524	7103	
	25	4067	4283	4508	4776	5121	5579	6184	6971	
	YW285TI-100	Heating Capacity (W)	70				29990	34964	39584	44983
			65				27304	30842	35175	40273
55				20619	23546	27236	31658	36780	42571	48998
50			17819	20404	23736	27785	32518	37903	43909	50504
45		17621	20571	24222	28541	33497	39057	45191	51866	
35		18092	21512	25536	30134	35273	40921	47047	53619	
25		18816	22354	26403	30928	35900	41286	47054	53172	
70						11366	11838	12280	12730	
Watt (W)	65				10039	10483	10879	11268	11687	
	55		7756	8190	8544	8854	9161	9503	9917	
	50	6751	7204	7558	7853	8127	8418	8765	9207	
	45	6290	6661	6955	7211	7467	7762	8135	8623	
	35	5370	5636	5868	6105	6385	6747	7230	7871	
	25	4507	4747	4996	5292	5675	6182	6853	7725	
	YW320TI-100	Heating Capacity (W)	70				34345	38470	43464	49297
			65				30104	33937	38621	44125
55				22748	25924	29914	34686	40209	46453	53386
50			19663	22473	26079	30449	35551	41356	47831	54947
45		19413	22610	26553	31210	36551	42544	49158	56363	
35		19846	23539	27878	32833	38372	44465	51080	58186	
25		20556	24374	28740	33622	38990	44812	51057	57695	
70						13098	13641	14150	14669	
Watt (W)	65				11568	12079	12536	12984	13467	
	55		8937	9438	9845	10203	10556	10950	11428	
	50	7779	8301	8709	9049	9364	9700	10100	10609	
	45	7248	7675	8014	8309	8604	8944	9374	9937	
	35	6188	6494	6762	7035	7358	7775	8331	9070	
	25	5193	5470	5756	6098	6539	7124	7896	8902	

Transition Area
Super Heat I.I.K, No Subcooling

Model	C.T. (°C)	E.T.(°C)								
		-20	-15	-10	-5	0	5	10	15	
YW75CI-100	Heating Capacity (W)	65					5045	6500	7863	9368
		55		2904	4066	5430	6680	7971	9425	10849
		50	2477	3694	4708	6002	7277	8613	10140	11579
		45	3166	4282	5189	6494	7820	9201	10829	12458
		40	3618	4715	5590	6957	8309	9790	11490	13248
		35	4084	5079	5965	7367	8798	10352	12152	14076
		25	4296	5443	6339	7776	9287	10913	12814	
	Watt (W)	65					3708	3689	3725	3779
		55		2762	2836	2909	2938	2923	2952	2995
		50	2448	2481	2514	2591	2627	2614	2642	2683
		45	2218	2244	2304	2324	2368	2378	2399	2431
		40	1975	2027	2058	2096	2117	2130	2151	2182
		35	1768	1810	1837	1874	1895	1913	1939	1972
		25	1584	1592	1616	1652	1673	1696	1727	
YW110CI-100	Heating Capacity (W)	65					6959	8813	10662	12702
		55		3938	5513	7362	9057	10808	12780	14710
		50	3359	5009	6383	8139	9867	11679	13749	15701
		45	4292	5806	7036	8805	10604	12477	14683	16892
		40	4905	6394	7580	9434	11267	13275	15580	17963
		35	5538	6887	8088	9989	11929	14036	16478	19086
		25	5825	7380	8596	10544	12592	14798	17375	
	Watt (W)	65					5003	4978	5026	5099
		55		3727	3826	3925	3964	3944	3982	4041
		50	3303	3347	3392	3496	3545	3526	3565	3620
		45	2993	3027	3109	3136	3195	3209	3236	3280
		40	2665	2735	2777	2829	2856	2873	2903	2945
		35	2385	2442	2479	2528	2557	2581	2616	2661
		25	2137	2148	2181	2228	2258	2288	2330	
YW135CI-100	Heating Capacity (W)	65					8959	11347	13727	16354
		55		5070	7098	9479	11661	13916	16454	18939
		50	4737	6449	8219	10479	12704	15036	17702	20214
		45	5526	7475	9059	11336	13652	16064	18904	21749
		40	6316	8232	9760	12146	14506	17091	20060	23128
		35	7130	8867	10413	12861	15359	18072	21215	24573
		25	7500	9502	11067	13575	16212	19052	22371	
	Watt (W)	65					6315	6282	6344	6436
		55		4704	4829	4953	5003	4978	5026	5101
		50	4169	4225	4281	4413	4474	4451	4499	4568
		45	3777	3821	3923	3958	4032	4050	4085	4140
		40	3364	3452	3504	3570	3605	3627	3664	3717
		35	3010	3082	3128	3191	3227	3257	3302	3358
		25	2697	2711	2752	2812	2850	2887	2941	
YW160CI-100	Heating Capacity (W)	65					10137	12839	15532	18505
		55		5737	8031	10725	13195	15745	18618	21430
		50	5237	7297	9299	11857	14375	17013	20030	22872
		45	6253	8458	10250	12827	15447	18176	21390	24609
		40	7146	9315	11043	13743	16413	19338	22697	26169
		35	8067	10033	11783	14551	17378	20448	24005	27804
		25	8486	10752	12522	15360	18344	21557	25312	
	Watt (W)	65					7146	7109	7179	7283
		55		5323	5464	5605	5661	5633	5688	5772
		50	4718	4781	4844	4993	5062	5037	5091	5170
		45	4275	4324	4440	4479	4562	4583	4622	4684
		40	3807	3907	3966	4040	4080	4104	4146	4206
		35	3406	3487	3540	3611	3652	3686	3737	3800
		25	3052	3068	3114	3183	3225	3267	3328	

Model	C.T. (°C)	E.T.(°C)							
		-20	-15	-10	-5	0	5	10	15
YW270CI-100	65					17424	22068	26696	31805
	55		9860	13804	18434	22678	27062	31999	36832
	50	9002	12541	15983	20379	24707	29242	34426	39312
	45	10747	14537	17618	22046	26550	31240	36763	42296
	40	12282	16009	18980	23621	28210	33237	39011	44978
	35	13866	17244	20251	25010	29869	35145	41258	47788
	25	14585	18480	21523	26400	31529	37052	43505	
	65					12404	12341	12462	12643
	55		9241	9486	9730	9828	9778	9874	10020
	50	8190	8299	8409	8668	8788	8743	8838	8974
	45	7420	7506	7707	7776	7920	7956	8024	8132
	40	6608	6782	6884	7013	7082	7124	7197	7301
	35	5913	6054	6145	6269	6340	6398	6487	6597
	25	5299	5326	5406	5525	5598	5672	5777	
YW300CI-100	65					19237	24364	29474	35114
	55		10886	15240	20352	25038	29878	35329	40665
	50	9938	13846	17646	22499	27277	32284	38009	43402
	45	11865	16049	19451	24340	29313	34490	40589	46697
	40	13560	17675	20955	26079	31145	36696	43070	49658
	35	15308	19039	22358	27613	32977	38801	45551	52760
	25	16103	20402	23762	29147	34809	40907	48032	
	65					13559	13490	13622	13820
	55		10101	10369	10637	10743	10688	10793	10953
	50	8952	9072	9192	9475	9606	9557	9661	9810
	45	8111	8205	8425	8500	8658	8697	8771	8889
	40	7223	7413	7525	7666	7741	7787	7867	7981
	35	6463	6618	6717	6853	6930	6994	7091	7211
	25	5792	5822	5910	6039	6119	6200	6315	
YW320CI-100	65					19958	25277	30579	36431
	55		11294	15811	21115	25977	30999	36654	42190
	50	10311	14366	18308	23343	28300	33495	39434	45030
	45	12310	16651	20180	25253	30412	35784	42111	48448
	40	14069	18338	21741	27057	32313	38072	44685	51520
	35	15883	19753	23197	28648	34214	40256	47259	54738
	25	16707	21168	24653	30240	36115	42441	49833	0
	65					14068	13996	14133	14339
	55		10480	10758	11035	11146	11089	11198	11363
	50	9288	9413	9537	9831	9967	9916	10024	10177
	45	8416	8513	8741	8819	8982	9023	9100	9222
	40	7494	7691	7807	7954	8032	8079	8162	8280
	35	6706	6866	6969	7110	7190	7256	7357	7482
	25	6009	6040	6131	6266	6349	6433	6552	

Super Heat 11.1K, No Subcooling

Model	C.T. (°C)	E.T.(°C)									
		-15	-10	-5	0	5	10	15	20	25	
YW55JI-100	Heating Capacity (W)	85			4572	4884	5214	6614	8014	8984	9920
		80			4594	5050	5520	6847	8173	9213	10230
		70	3252	3890	4638	5382	6133	7313	8492	9671	10851
		60	3355	3650	4682	5714	6746	7779	8811	10130	11440
		50	3464	4044	5052	6045	7194	7964	9506	10882	12241
		40	3570	4512	5371	6227	7631	8988	10329	11667	13005
		30	3674	4559	5445	6329	7816	9304	10791	12269	13747
	Watt (W)	85			2220	2372	2526	2680	2834	2988	3096
		80			2117	2253	2391	2529	2667	2805	2912
		70	1634	1808	1912	2017	2123	2228	2334	2440	2545
		60	1442	1634	1707	1781	1854	1927	2001	2074	2147
		50	1249	1377	1501	1543	1584	1626	1667	1813	1918
		40	1055	1193	1247	1302	1360	1418	1508	1598	1688
		30	859	926	993	1060	1135	1210	1285	1351	1416
YW80JI-100	Heating Capacity (W)	85			6655	7109	7588	9618	11648	13056	14414
		80			6685	7348	8030	9954	11877	13385	14860
		70	4734	5660	6745	7825	8914	10624	12334	14043	15753
		60	4880	5310	6806	8302	9798	11295	12791	14702	16601
		50	5036	5878	7339	8777	10442	11559	13793	15787	17758
		40	5186	6553	7797	9038	11072	13038	14981	16921	18860
		30	5334	6616	7902	9182	11337	13492	15647	17789	19931
	Watt (W)	85			3248	3470	3695	3921	4146	4372	4530
		80			3098	3297	3499	3701	3903	4104	4261
		70	2391	2645	2798	2951	3106	3260	3415	3569	3724
		60	2109	2391	2498	2605	2713	2820	2927	3035	3142
		50	1828	2014	2197	2258	2318	2379	2440	2653	2807
		40	1543	1746	1825	1905	1990	2075	2207	2338	2469
		30	1257	1355	1453	1551	1661	1771	1880	1976	2072
YW100JI-100	Heating Capacity (W)	85			8097	8651	9234	11722	14211	15935	17599
		80			8138	8948	9781	12139	14498	16346	18154
		70	5759	6890	8220	9542	10877	12974	15071	17167	19264
		60	5945	6466	8301	10137	11973	13808	15644	17989	20320
		50	6143	7172	8963	10729	12773	14144	16886	19332	21749
		40	6334	8008	9535	11058	13555	15968	18353	20732	23112
		30	6523	8096	9673	11243	13888	16534	19179	21808	24436
	Watt (W)	85			3912	4179	4451	4723	4994	5266	5456
		80			3732	3971	4214	4457	4701	4944	5132
		70	2880	3186	3370	3555	3741	3927	4113	4299	4485
		60	2541	2880	3009	3138	3267	3397	3526	3655	3784
		50	2202	2426	2646	2719	2792	2865	2938	3195	3380
		40	1859	2103	2198	2294	2397	2499	2658	2816	2974
		30	1514	1632	1750	1868	2000	2133	2264	2380	2496

Transition Area
Super Heat 11K, Subcooling 8.3K



Model	C.T. (°C)	E.T.(°C)								
		-15	-10	-5	0	5	10	15	20	25
YW120JI-100	85			9620	10277	10970	13950	16930	18992	20984
	80			9674	10639	11634	14457	17281	19493	21658
	70	6839	8190	9781	11363	12960	15472	17983	20495	23006
	60	7071	7688	9887	12087	14286	16486	18685	21497	24290
	50	7317	8547	10691	12808	15259	16902	20191	23119	26015
	40	7555	9558	11388	13213	16207	19100	21957	24809	27660
	30	7790	9675	11564	13445	16616	19788	22959	26110	29262
	85			4598	4912	5231	5550	5870	6189	6412
	80			4386	4667	4953	5239	5524	5810	6032
	70	3385	3744	3961	4178	4397	4615	4834	5053	5272
	60	2986	3385	3536	3688	3840	3992	4144	4296	4448
	50	2587	2851	3110	3196	3282	3368	3454	3755	3973
	40	2185	2472	2583	2696	2817	2937	3124	3310	3496
	30	1779	1918	2057	2196	2351	2506	2661	2797	2933
YW132JI-100	85			10457	11171	11924	15163	18402	20643	22809
	80			10515	11564	12645	15714	18784	21188	23541
	70	7434	8902	10631	12351	14087	16817	19547	22277	25007
	60	7686	8356	10747	13138	15529	17919	20310	23366	26403
	50	7953	9290	11620	13921	16585	18372	21947	25130	28277
	40	8212	10389	12378	14362	17617	20761	23867	26966	30066
	30	8468	10516	12569	14615	18061	21509	24955	28381	31806
	85			4998	5339	5686	6033	6380	6727	6970
	80			4767	5073	5384	5694	6005	6315	6556
	70	3679	4070	4305	4541	4779	5017	5255	5492	5730
	60	3246	3679	3844	4009	4174	4339	4504	4669	4834
	50	2812	3099	3380	3474	3567	3660	3754	4082	4319
	40	2375	2686	2808	2931	3062	3192	3396	3597	3799
	30	1934	2085	2236	2387	2555	2724	2893	3040	3188

Transition Area
Super Heat 11K, Subcooling 8.3K

Model	C.T. (°C)	E.T.(°C)									
		-15	-10	-5	0	5	10	15	20	25	
YW140JI-100	85					13970	16071	18397	20982	23858	
	80			10612	12350	14273	16413	18803	21475	24461	
	75	7856	9287	10862	12614	14575	16776	19251	22031	25148	
	70	8076	9495	11082	12869	14889	17172	19752	22661	25930	
	65	8237	9666	11286	13129	15227	17614	20320	23377	26819	
	60	8352	9811	11484	13404	15603	18113	20966	24194	27829	
	55	8434	9943	11691	13708	16028	18682	21703	25122	28972	
	50	8494	10075	11918	14054	16515	19334	22543	26174	30260	
	45	8546	10219	12177	14453	17077	20082	23500	27364	31705	
	40	8601	10388	12482	14917	17725	20937	24585	28702		
	35	8672	10593	12845	15461	18473	21912	25811			
	30	8772	10848	13278	16096	19332	23020				
	Watt (W)	85					6765	6916	7108	7370	7727
		80			5803	5966	6122	6298	6519	6813	7205
75		4728	4992	5198	5375	5547	5743	5987	6307	6729	
70		4192	4456	4667	4851	5034	5243	5505	5846	6293	
65		3733	3993	4202	4388	4576	4794	5068	5425	5890	
60		3347	3596	3798	3980	4169	4390	4670	5036	5515	
55		3026	3259	3449	3622	3804	4023	4304	4675	5161	
50		2765	2977	3149	3307	3478	3689	3965	4335	4823	
45		2559	2743	2891	3029	3184	3381	3647	4009	4494	
40		2400	2552	2671	2783	2915	3093	3343	3693		
35		2283	2397	2481	2562	2666	2819	3048			
30		2202	2272	2316	2360	2430	2553				
YW155JI-100		85					14874	17110	19587	22339	25401
		80			11941	13809	15196	17475	20020	22864	26044
	75	8364	9887	11565	13430	15517	17861	20496	23456	26774	
	70	8598	10109	11799	13702	15852	18283	21030	24126	27607	
	65	8770	10291	12016	13978	16212	18753	21634	24889	28554	
	60	8893	10446	12227	14271	16612	19284	22322	25758	29629	
	55	8979	10587	12447	14595	17065	19890	23106	26747	30846	
	50	9044	10727	12689	14963	17583	20585	24001	27867	32217	
	45	9098	10880	12965	15387	18181	21380	25020	29134	33756	
	40	9157	11059	13290	15882	18871	22291	26175	30559		
	35	9233	11278	13676	16461	19667	23329	27481			
	30	9339	11549	14137	17137	20582	24509				
	Watt (W)	85					7203	7363	7568	7847	8227
		80			6821	7013	6518	6705	6941	7254	7671
75		5034	5314	5535	5722	5906	6114	6374	6715	7165	
70		4463	4744	4969	5164	5360	5582	5861	6224	6700	
65		3975	4251	4474	4672	4872	5104	5396	5776	6271	
60		3563	3828	4044	4238	4438	4674	4972	5362	5871	
55		3222	3470	3672	3856	4051	4283	4583	4977	5495	
50		2944	3170	3352	3521	3703	3927	4222	4615	5135	
45		2724	2921	3078	3225	3390	3599	3883	4269	4785	
40		2555	2717	2844	2963	3103	3293	3560	3932		
35		2431	2552	2642	2728	2838	3001	3246			
30		2344	2419	2466	2513	2587	2719				

Super Heat I I K, Subcooling 8.3K



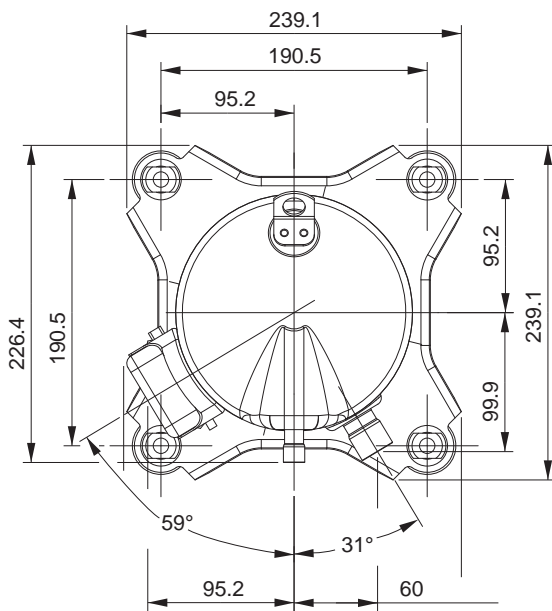
Model	C.T. (°C)	E.T.(°C)									
		-15	-10	-5	0	5	10	15	20	25	
YW180JI-100	85					17585	20228	23157	26410	30030	
	80			14071	16278	17965	20660	23668	27031	30790	
	75	9888	11689	13672	15877	18345	21116	24231	27730	31654	
	70	10165	11952	13949	16199	18741	21615	24862	28523	32638	
	65	10368	12166	14205	16525	19167	22170	25576	29425	33758	
	60	10513	12349	14455	16872	19640	22799	26389	30453	35029	
	55	10616	12516	14715	17255	20175	23515	27317	31621	36467	
	50	10692	12682	15001	17689	20788	24336	28375	32946	38088	
	45	10756	12863	15328	18191	21494	25277	29580	34443	39907	
	40	10826	13075	15712	18777	22310	26353	30945	36128		
	35	10915	13333	16168	19461	23252	27581	32489			
	30	11041	13654	16713	20260	24333	28975				
	Watt (W)	85					8516	8705	8947	9277	9726
		80			8017	8243	7706	7927	8206	8575	9069
		75	5951	6283	6543	6765	6982	7228	7536	7939	8470
70		5276	5609	5874	6105	6336	6600	6930	7359	7921	
65		4699	5026	5289	5523	5760	6035	6380	6828	7414	
60		4212	4526	4781	5010	5247	5525	5878	6339	6941	
55		3809	4102	4341	4559	4789	5064	5418	5884	6496	
50		3481	3747	3963	4163	4378	4643	4991	5456	6070	
45		3221	3453	3639	3813	4007	4255	4591	5047	5657	
40		3021	3212	3362	3503	3669	3893	4208	4649		
35		2874	3017	3123	3225	3355	3548	3837			
30		2772	2860	2915	2971	3059	3214				
YW200JI-100		85					20226	23267	26635	30377	34540
		80			16387	18931	20664	23763	27223	31091	35414
		75	11373	13445	15726	18262	21101	24288	27871	31895	36408
	70	11692	13747	16045	18632	21555	24861	28596	32807	37540	
	65	11926	13994	16339	19007	22046	25500	29418	33845	38828	
	60	12092	14204	16627	19406	22589	26223	30353	35027	40290	
	55	12210	14396	16926	19846	23205	27047	31420	36370	41944	
	50	12298	14587	17254	20346	23910	27991	32637	37894	43809	
	45	12372	14795	17630	20924	24723	29073	34022	39616	45901	
	40	12452	15039	18072	21597	25661	30311	35593	41554		
	35	12555	15336	18597	22384	26744	31723	37369			
	30	12699	15705	19224	23303	27988	33327				
	Watt (W)	85					9795	10012	10291	10670	11187
		80			9424	9689	8864	9118	9438	9863	10432
		75	6845	7227	7526	7781	8031	8314	8668	9131	9742
70		6069	6451	6756	7022	7288	7591	7970	8464	9111	
65		5405	5780	6083	6352	6625	6941	7338	7854	8527	
60		4845	5206	5499	5762	6035	6355	6761	7291	7984	
55		4381	4719	4993	5244	5508	5825	6232	6768	7472	
50		4004	4310	4559	4788	5036	5341	5741	6275	6982	
45		3704	3972	4186	4386	4609	4894	5280	5805	6506	
40		3474	3695	3867	4029	4220	4478	4841	5347		
35		3305	3470	3592	3709	3859	4081	4413			
30		3188	3290	3353	3417	3518	3697				

Super Heat I I K, Subcooling 8.3K

Model	C.T. (°C)	E.T.(°C)								
		-15	-10	-5	0	5	10	15	20	25
YW240JI-100	85					22867	26305	30113	34344	39051
	80			18527	21403	23362	26866	30778	35151	40039
	75	12858	15200	17779	20647	23856	27460	31510	36060	41163
	70	13219	15542	18140	21065	24370	28108	32331	37091	42442
	65	13483	15821	18472	21489	24924	28830	33259	38265	43899
	60	13671	16059	18798	21940	25539	29647	34317	39601	45551
	55	13805	16276	19136	22438	26235	30579	35523	41120	47422
	50	13903	16491	19507	23003	27032	31647	36899	42843	49529
	45	13988	16727	19932	23656	27951	32870	38465	44789	51895
	40	14078	17003	20431	24417	29012	34270	40241	46980	
	35	14194	17339	21025	25307	30236	35866	42248		
	30	14358	17755	21734	26345	31643	37679			
		85				11074	11319	11635	12063	12648
		80			10655	10955	10021	10309	10671	11151
		75	7739	8170	8509	8797	9080	9399	9800	10323
		70	6861	7294	7639	7939	8240	8582	9011	9569
	65	6111	6535	6878	7182	7491	7848	8296	8879	
	60	5478	5886	6217	6515	6823	7185	7644	8243	
	55	4953	5335	5645	5928	6227	6585	7046	7652	
	50	4526	4873	5154	5413	5693	6038	6491	7095	
	45	4188	4490	4733	4958	5211	5534	5970	6563	
	40	3928	4177	4372	4555	4771	5062	5473	6045	
	35	3737	3923	4061	4193	4363	4614	4990		
	30	3604	3719	3791	3863	3978	4179			

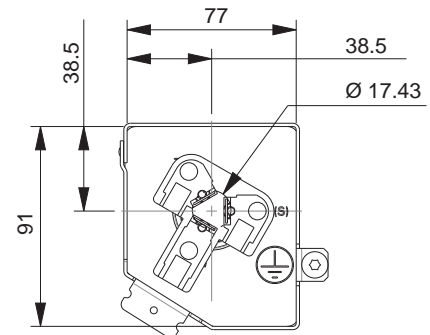
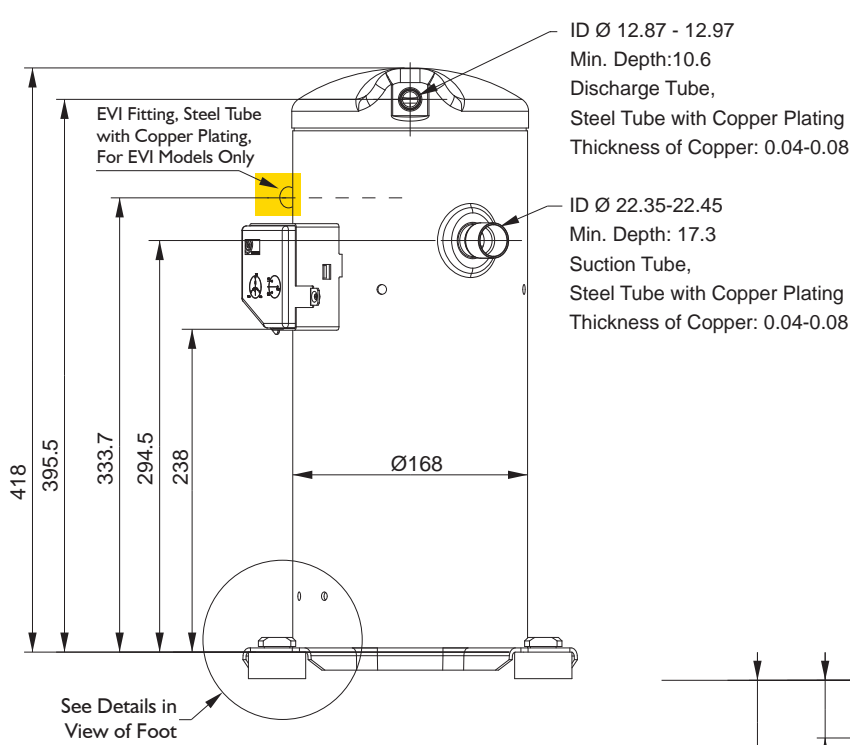
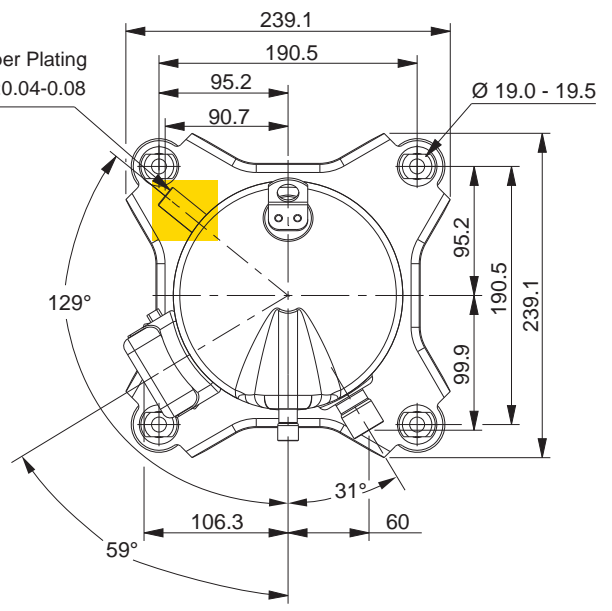
Super Heat 11K, Subcooling 8.3K

W/O EVI

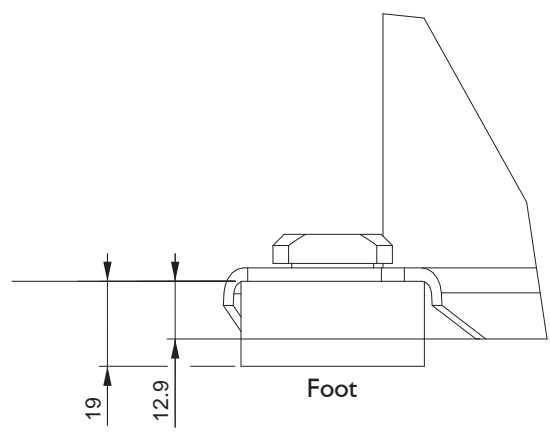


ID \varnothing 12.80 - 12.90
 Depth: 9.8-10.0
 EVI Fitting,
 Steel Tube with Copper Plating
 Thickness of Copper: 0.04-0.08

W/ EVI

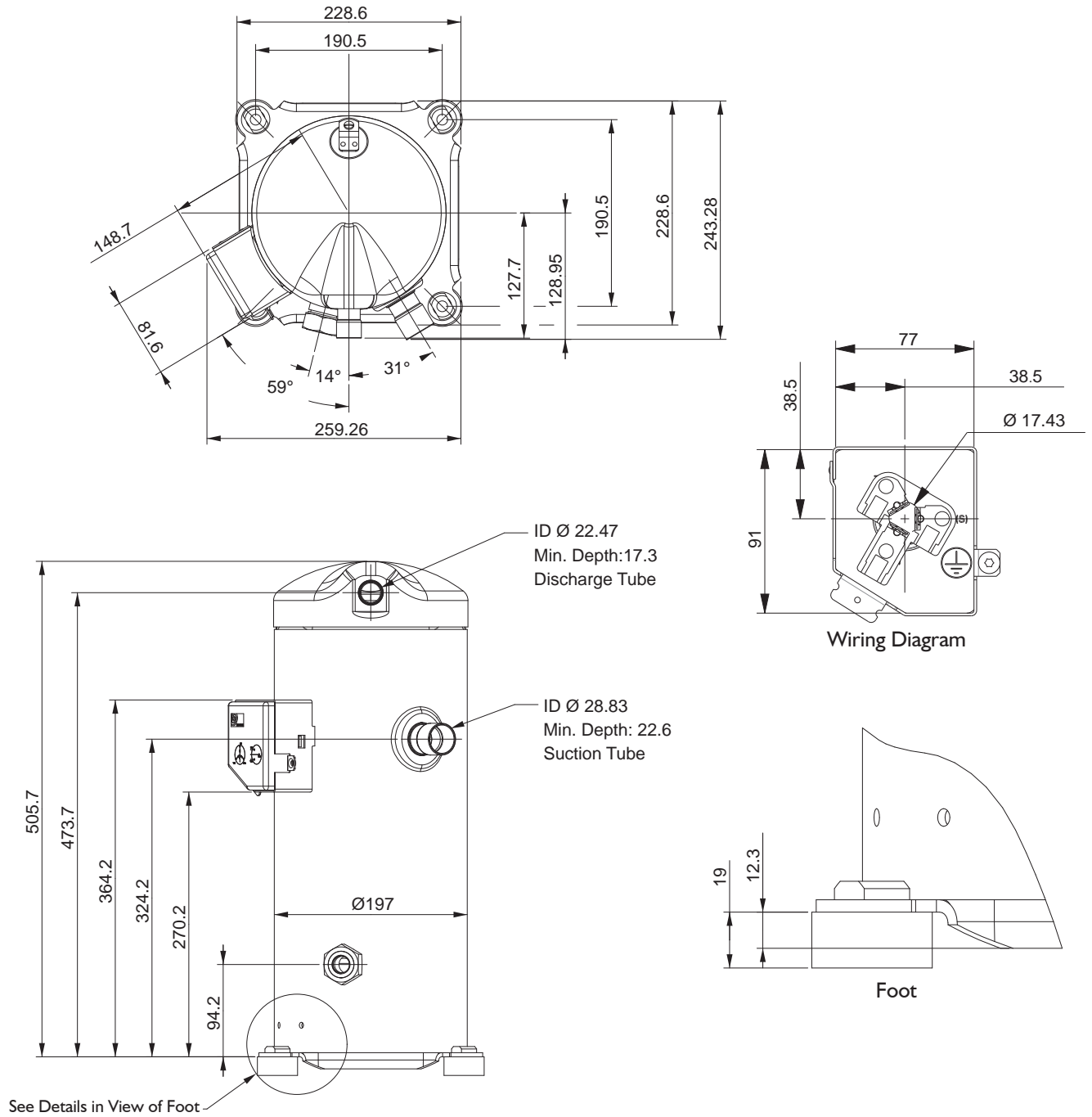


Wiring Diagram



Foot

See Details in View of Foot





Every effort has been made to provide accurate descriptions and data. However, due to the continuing process of product improvement and evolution, all information in this brochure is subject to change without notification.