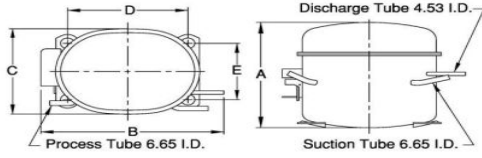


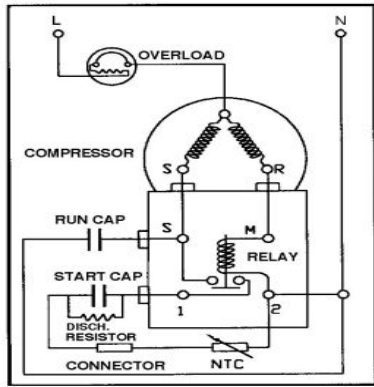


PRINCIPAL DIMENSIONS - mm



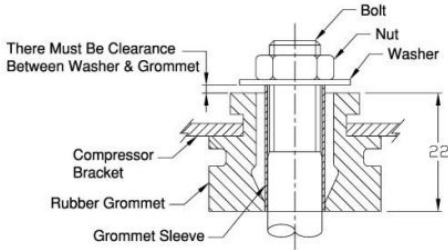
| | | | | |
|--------|--------|--------|--------|--------|
| A: 216 | B: 277 | C: 155 | D: 165 | E: 102 |
|--------|--------|--------|--------|--------|

SCHEMATIC WIRING DIAGRAM C.S.R.



SCHEMATIC WIRING DIAGRAM -

MOUNTING KIT



Electrical : 220-240 V/50 Hz. 1 Phase

Nominal Performance

| | |
|------------------------|------------------------|
| Capacity | 370 / - Watts |
| | 1,262 / - BTU/Hr |
| | 318 / - Kcal/Hr |
| Power Input | 280 / - Watts |
| Locked Rotor Amps | 11.60 / - Amps |
| Max Continuous Current | - / - Amps |
| Rated Load Amps | 1.34 / - Amps |
| COP | 1.32 / - Watts / Watts |
| EER | 4.51 / - BTU/W-Hr |

Testing Conditions

| | | |
|-------------------------|---------------|-------------|
| Condensing Temperature | 54.40 °C | 129.9 °F |
| Evaporating Temperature | -23.30 / - °C | -9.9 / - °F |
| Liquid Temperature | 32.20 °C | 90.0 °F |
| Return Gas Temperature | 32.20 °C | 90.0 °F |
| Ambient Temperature | 32.20 °C | 90.0 °F |

Application

| | | |
|--------------------------|----------------|---|
| Evaporating Temp. Range | LBP | @ -40.00 °C to -12.20 °C (-40.0° F to 10.0° F) |
| | Heat Pump | - °C to - °C (-° F to -° F) |
| Refrigerant | R134a | |
| Refrigerant Flow Control | Capillary Tube | |
| Compressor Cooling | Fan | |

Compressor and Motor data

| | |
|---------------------------------|-------------------------------|
| Compressor Type | Reciprocating |
| Displacement | 16.15 cc. |
| Oil Type | Polyolester Oil |
| Oil Charge | 485 cc. |
| Motor Type | C.S.R. ; 2 Pole 2,850 / - r/m |
| Voltage Range | 187 - 264/- Volts 50/- Hz. |
| Winding Resistance at 25 °C | |
| Start | 9.90 Ohms |
| Run | 6.00 Ohms |
| Weight with Oil | 11.54 Kg. |
| Weight with Oil and Accessories | 12.19 Kg. |

Electrical Components

Motor Protector

| | |
|-------------------------|--------------------------------|
| Type | External 3/4" |
| Model Number | KME660-7/C |
| Open / Close | 90-100 / 70-52 °C |
| 1st Cycle trip at 25 °C | 10.20 Amps(main) - Amps(start) |

Motor Starter

| | |
|------------------------------|-------------------|
| Type | Current Relay |
| Model Number | KME682-26NT |
| Pick Up (max.) | 6.40 Amps |
| Drop Out (min.) | 5.60 Amps |
| Terminal Cover | KMD 901-12 |
| Start Capacitor | 36-43 µF 330 VAC. |
| Disch Resistor for Start Cap | 15000 Ohms 2 W |
| Run Capacitor | 8 µF 450 VAC. |

Mounting Kit

| | |
|----------------|--------------|
| Rubber Grommet | 4007KMD905-3 |
| Sleeve Grommet | 3KMD903-2-Z |
| Washer | 4023KEB387 |

Since we are constantly improving our product , the specification are subject to change without notice.

REV. DATE
19-04-16

C / N No.
0128/16

Certificate Marks

www.alamko.by

