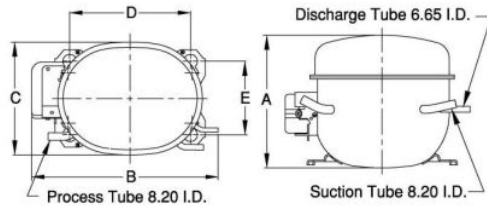


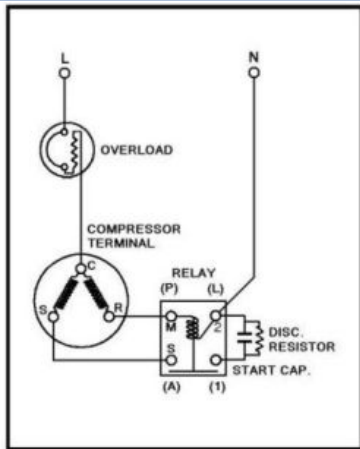


**PRINCIPAL DIMENSIONS - mm**



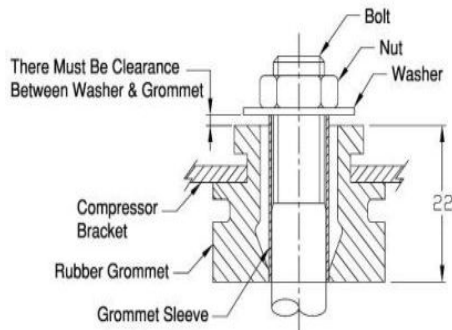
A: 204	B: 265	C: 155	D: 165	E: 102
--------	--------	--------	--------	--------

**SCHEMATIC WIRING DIAGRAM C.S.I.R.**



**SCHEMATIC WIRING DIAGRAM -**

**MOUNTING KIT**



Electrical : 220-240 V/50 Hz. 1 Phase

**Nominal Performance**

Capacity	1,026 / - Watts
	3,501 / - BTU/Hr
	882 / - Kcal/Hr
Power Input	590 / - Watts
Locked Rotor Amps	19.00 / - Amps
Max Continuous Current	- / - Amps
Rated Load Amps	3.80 / - Amps
COP	1.74 / - Watts / Watts
EER	5.93 / - BTU/W-Hr

**Testing Conditions**

Condensing Temperature	54.40 °C	129.9 °F
Evaporating Temperature	7.20 / - °C	45.0 / - °F
Liquid Temperature	46.10 °C	115.0 °F
Return Gas Temperature	35.00 °C	95.0 °F
Ambient Temperature	35.00 °C	95.0 °F

**Application**

Evaporating Temp. Range	HBP	@ -6.70 ° C to 12.70 ° C (19.9° F to 54.9° F)
	Heat Pump	- ° C to - ° C (- ° F to - ° F)
Refrigerant	R404A	
Refrigerant Flow Control	Capillary Tube	
Compressor Cooling	Fan	

**Compressor and Motor data**

Compressor Type	Reciprocating
Displacement	7.57 cc.
Oil Type	Polyolester Oil
Oil Charge	357 cc.
Motor Type	C.S.I.R. ; 2 Pole 2,850 / - r/m
Voltage Range	198-264/- Volts 50/- Hz.
Winding Resistance at 25 ° C	
Start	11.34 Ohms
Run	5.68 Ohms
Weight with Oil	11.65 Kg.
Weight with Oil and Accessories	12.06 Kg.

**Electrical Components**

**Motor Protector**

Type	External 3/4"
Model Number	KME666-2/C
Open / Close	130-140 / 61-43 ° C
1st Cycle trip at 25 ° C	13.00 Amps(main) - Amps(start)

**Motor Starter**

Type	Current Relay
Model Number	KME684-8
Pick Up (max.)	9.60 Amps
Drop Out (min.)	8.40 Amps
Terminal Cover	KMD 901-12
Start Capacitor	36-43 µF 330 VAC.
Disch Resistor for Start Cap	15000 Ohms 2 W
Run Capacitor	No µF No VAC.

**Mounting Kit**

Rubber Grommet	4007KMD905-3
Sleeve Grommet	3KMD903-2-Z
Washer	4023KEB387

Since we are constantly improving our product , the specification are subject to change without notice.

REV. DATE  
ECN 24-10-12

C / N No.  
ECN 0516/12

**Certificate Marks**

[www.alamko.by](http://www.alamko.by)

