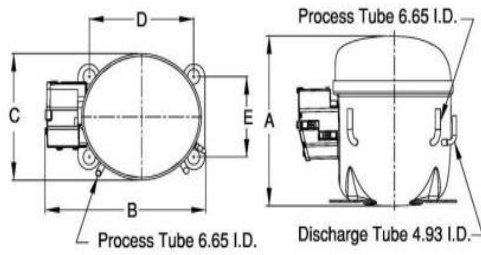


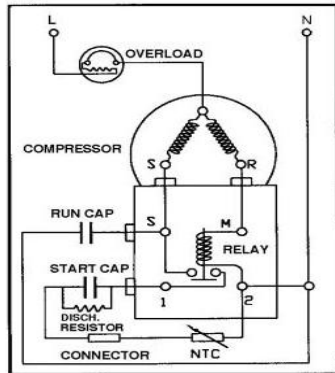


PRINCIPAL DIMENSIONS - mm



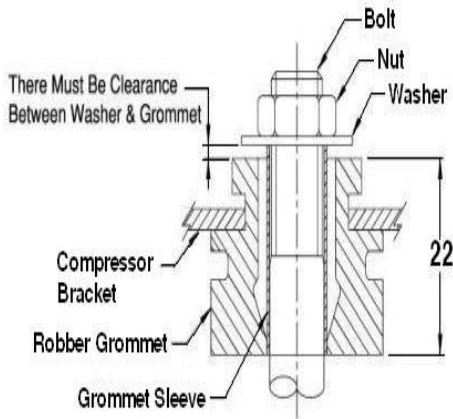
| | | | | |
|--------|--------|--------|--------|--------|
| A: 205 | B: 250 | C: 160 | D: 165 | E: 102 |
|--------|--------|--------|--------|--------|

SCHEMATIC WIRING DIAGRAM C.S.R.



SCHEMATIC WIRING DIAGRAM -

MOUNTING KIT



Electrical : 220-240 V/50 Hz. 1 Phase

Nominal Performance

| | |
|------------------------|------------------------|
| Capacity | 756 / - Watts |
| | 2,579 / - BTU/Hr |
| | 650 / - Kcal/Hr |
| Power Input | 495 / - Watts |
| Locked Rotor Amps | 17.00 / - Amps |
| Max Continuous Current | - / - Amps |
| Rated Load Amps | 2.50 / - Amps |
| COP | 1.53 / - Watts / Watts |
| EER | 5.21 / - BTU/W-Hr |

Testing Conditions

| | | |
|-------------------------|--------------|-------------|
| Condensing Temperature | 54.40 °C | 129.9 °F |
| Evaporating Temperature | -6.70 / - °C | 19.9 / - °F |
| Liquid Temperature | 46.10 °C | 115.0 °F |
| Return Gas Temperature | 35.00 °C | 95.0 °F |
| Ambient Temperature | 35.00 °C | 95.0 °F |

Application

| | | |
|--------------------------|----------------|---|
| Evaporating Temp. Range | MBP | @ -23.30 °C to -1.10 °C (-9.9° F to 30.0° F) |
| | Heat Pump | - °C to - °C (-° F to -° F) |
| Refrigerant | R404A | |
| Refrigerant Flow Control | Capillary Tube | |
| Compressor Cooling | Fan | |

Compressor and Motor data

| | |
|---------------------------------|-------------------------------|
| Compressor Type | Reciprocating |
| Displacement | 8.86 cc. |
| Oil Type | Polyolester Oil |
| Oil Charge | 417 cc. |
| Motor Type | C.S.R. ; 2 Pole 2,850 / - r/m |
| Voltage Range | 187-264/- Volts 50/- Hz. |
| Winding Resistance at 25 °C | |
| Start | 17.74 Ohms |
| Run | 4.18 Ohms |
| Weight with Oil | 11.60 Kg. |
| Weight with Oil and Accessories | 12.00 Kg. |

Electrical Components

| | |
|------------------------------|--------------------------------|
| Motor Protector | |
| Type | External 3/4" |
| Model Number | KME664-33/C |
| Open / Close | 105-115 / 70-52 °C |
| 1st Cycle trip at 25 °C | 19.50 Amps(main) - Amps(start) |
| Motor Starter | |
| Type | Current Relay |
| Model Number | KME682-8N |
| Pick Up (max.) | 8.00 Amps |
| Drop Out (min.) | 7.00 Amps |
| Terminal Cover | KEA 099 |
| Start Capacitor | 43-52 µF 330 VAC. |
| Disch Resistor for Start Cap | 39000 Ohms 2 W |
| Run Capacitor | 8 µF 450 VAC. |

Mounting Kit

| | |
|----------------|--------------|
| Rubber Grommet | 4007KMD905-3 |
| Sleeve Grommet | 3KMD903-2-Z |
| Washer | 4023KEB387 |

Since we are constantly improving our product , the specification are subject to change without notice.

REV. DATE
30-06-15

C / N No.
0277/15

Certificate Marks

www.alamko.by

