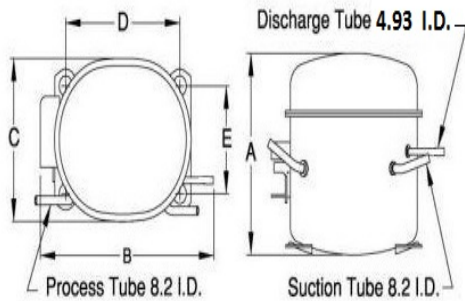


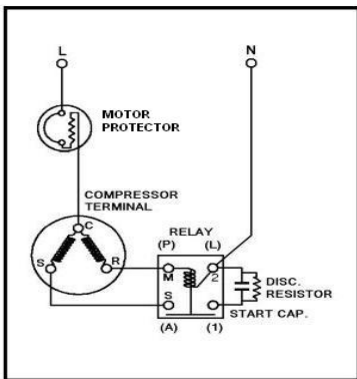


**PRINCIPAL DIMENSIONS - mm**



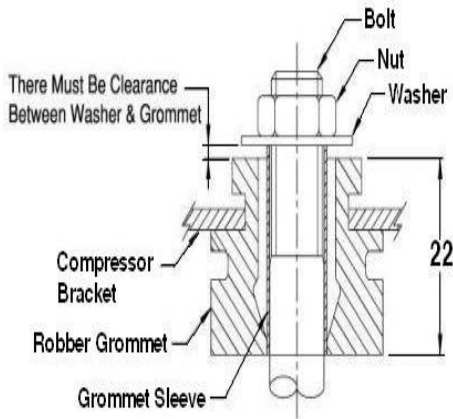
A: 189	B: 277	C: 155	D: 165	E: 102
--------	--------	--------	--------	--------

**SCHEMATIC WIRING DIAGRAM C.S.I.R.**



**SCHEMATIC WIRING DIAGRAM -**

**MOUNTING KIT**



Electrical : 220-240 V/50 Hz. 1 Phase

**Nominal Performance**

Capacity	325 / 348 Watts
	1,109 / 1,187 BTU/Hr
	279 / 299 Kcal/Hr
Power Input	284 / 302 Watts
Locked Rotor Amps	11.10 / 11.10 Amps
Max Continuous Current	- / - Amps
Rated Load Amps	2.00 / 2.06 Amps
COP	1.14 / 1.15 Watts / Watts
EER	3.90 / 3.93 BTU/W-Hr

**Testing Conditions**

Condensing Temperature	54.40 °C	129.9 °F
Evaporating Temperature	-23.30 / - °C	-9.9 / - °F
Liquid Temperature	32.20 °C	90.0 °F
Return Gas Temperature	32.20 °C	90.0 °F
Ambient Temperature	32.20 °C	90.0 °F

**Application**

Evaporating Temp. Range	LBP	@ -40.00 °C to -12.20 °C (-40.0° F to 10.0° F)
	Heat Pump	- °C to - °C (-° F to -° F)
Refrigerant	R404A/R507	
Refrigerant Flow Control	Capillary Tube	
Compressor Cooling	Fan	

**Compressor and Motor data**

Compressor Type	Reciprocating
Displacement	6.92 cc.
Oil Type	Polyolester Oil
Oil Charge	357 cc.
Motor Type	C.S.I.R. ; 2 Pole 2,850 / 2,850 r/m
Voltage Range	187-264/- Volts 50/- Hz.
Winding Resistance at 25 °C	
Start	26.40 Ohms
Run	7.24 Ohms
Weight with Oil	9.84 Kg.
Weight with Oil and Accessories	10.10 Kg.

**Electrical Components**

<b>Motor Protector</b>	
Type	External 3/4"
Model Number	KME660-7/C
Open / Close	90-100 / 70-52 °C
1st Cycle trip at 25 °C	10.20 Amps(main) - Amps(start)
<b>Motor Starter</b>	
Type	Current Relay
Model Number	KME684-11
Pick Up (max.)	7.30 Amps
Drop Out (min.)	6.40 Amps
Terminal Cover	KMD 901-12
Start Capacitor	36-43 µF 330 VAC.
Disch Resistor for Start Cap	15000 Ohms 2 W
Run Capacitor	No µF No VAC.

**Mounting Kit**

Rubber Grommet	4007KMD905-3
Sleeve Grommet	3KMD903-2-Z
Washer	4023KEB387

Since we are constantly improving our product , the specification are subject to change without notice.

REV. DATE  
22-03-16

C / N No.  
0179/13

**Certificate Marks**

[www.alamko.by](http://www.alamko.by)

