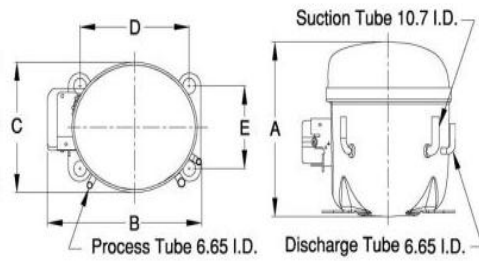


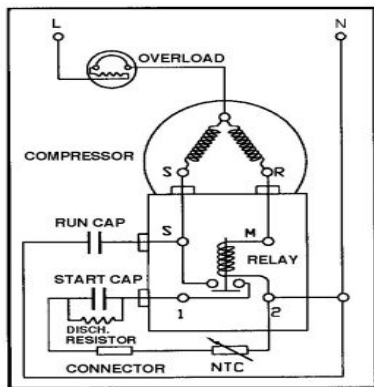


**PRINCIPAL DIMENSIONS - mm**



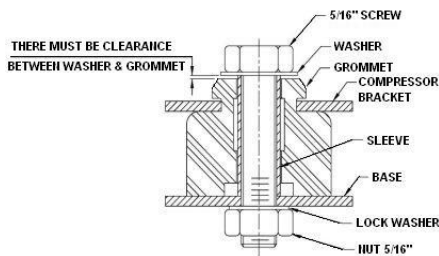
|        |        |        |        |        |
|--------|--------|--------|--------|--------|
| A: 215 | B: 233 | C: 160 | D: 165 | E: 102 |
|--------|--------|--------|--------|--------|

**SCHEMATIC WIRING DIAGRAM C.S.R.**



**SCHEMATIC WIRING DIAGRAM -**

**MOUNTING KIT**



Electrical : 220-240 V/50 Hz. 1 Phase

**Nominal Performance**

|                        |                        |
|------------------------|------------------------|
| Capacity               | 774 / - Watts          |
|                        | 2,641 / - BTU/Hr       |
|                        | 666 / - Kcal/Hr        |
| Power Input            | 624 / - Watts          |
| Locked Rotor Amps      | 21.00 / - Amps         |
| Max Continuous Current | - / - Amps             |
| Rated Load Amps        | 3.20 / - Amps          |
| COP                    | 1.24 / - Watts / Watts |
| EER                    | 4.23 / - BTU/W-Hr      |

**Testing Conditions**

|                         |               |             |
|-------------------------|---------------|-------------|
| Condensing Temperature  | 54.40 °C      | 129.9 °F    |
| Evaporating Temperature | -23.30 / - °C | -9.9 / - °F |
| Liquid Temperature      | 32.20 °C      | 90.0 °F     |
| Return Gas Temperature  | 32.20 °C      | 90.0 °F     |
| Ambient Temperature     | 32.20 °C      | 90.0 °F     |

**Application**

|                          |                |   |
|--------------------------|----------------|---|
| Evaporating Temp. Range  | LBP            | @ -40.00 ° C to -12.20 ° C<br>(-40.0° F to 10.0° F) |
|                          | Heat Pump      | - ° C to - ° C<br>(-° F to -° F)                    |
| Refrigerant              | R404A          |   |
| Refrigerant Flow Control | Capillary Tube |   |
| Compressor Cooling       | Fan            |   |

**Compressor and Motor data**

|                                 |                               |
|---------------------------------|-------------------------------|
| Compressor Type                 | Reciprocating                 |
| Displacement                    | 18.00 cc.                     |
| Oil Type                        | Polyolester Oil               |
| Oil Charge                      | 417 cc.                       |
| Motor Type                      | C.S.R. ; 2 Pole 2,880 / - r/m |
| Voltage Range                   | 198-253/- Volts 50/- Hz.      |
| Winding Resistance at 25 ° C    |                               |
| Start                           | 8.56 Ohms                     |
| Run                             | 3.26 Ohms                     |
| Weight with Oil                 | 12.95 Kg.                     |
| Weight with Oil and Accessories | 13.20 Kg.                     |

**Electrical Components**

|                          |                                |
|--------------------------|--------------------------------|
| <b>Motor Protector</b>   |                                |
| Type                     | External 3/4"                  |
| Model Number             | KME664-2/C                     |
| Open / Close             | 115-125 / 78-60 ° C            |
| 1st Cycle trip at 25 ° C | 18.60 Amps(main) - Amps(start) |

|                              |                   |
|------------------------------|-------------------|
| <b>Motor Starter</b>         |                   |
| Type                         | Current Relay     |
| Model Number                 | KME682-21NT       |
| Pick Up (max.)               | 11.80 Amps        |
| Drop Out (min.)              | 10.50 Amps        |
| Terminal Cover               | KMD 901-12        |
| Start Capacitor              | 43-52 µF 330 VAC. |
| Disch Resistor for Start Cap | 15000 Ohms 2 W    |
| Run Capacitor                | 15 µF 440 VAC.    |

**Mounting Kit**

|                |              |
|----------------|--------------|
| Rubber Grommet | 4007KGM905-2 |
| Sleeve Grommet | 3KGM903-Z    |
| Washer         | 4023KEB387   |

Since we are constantly improving our product , the specification are subject to change without notice.

|           |           |
|-----------|-----------|
| REV. DATE | C / N No. |
| 26-08-13  | 0407/13   |

**Certificate Marks**

[www.alamko.by](http://www.alamko.by)

